

## 9-Pin D-Subminiature Connectors



Tekna Seal products, like 9-Pin D-Subminiature Connectors, are now sold under the Win™ brand from Winchester Interconnect™

### Product Description

Winchester Interconnect's glass-to-metal sealed version of the 9-Pin D-Subminiature connector is a hermetic high-density feedthrough for instrumentation applications. The body of the feedthrough is stainless steel and is intended to be welded into a device housing, vacuum chamber, or vacuum flange. Electrical connections on the external side can be made with standard 9-Pin female D-Subminiature connectors and cables.

### Specifications

#### Materials of Construction:

- Body: 304 stainless steel
- Sealing/Insulating Glass: Winchester Interconnect ceramic glass
- Pins: Gold-plated nickel 200

#### Hermeticity:

Less than  $1 \times 10^{-8}$  std cc/sec helium leak rate at 1 atmosphere pressure differential

#### Insulation Resistance:

100 M Ohm minimum at 500 VDC

#### Operating Temperature Range:

-50°C to 150°C

#### Maximum Bake-Out Temperature:

300°C

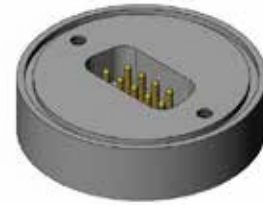
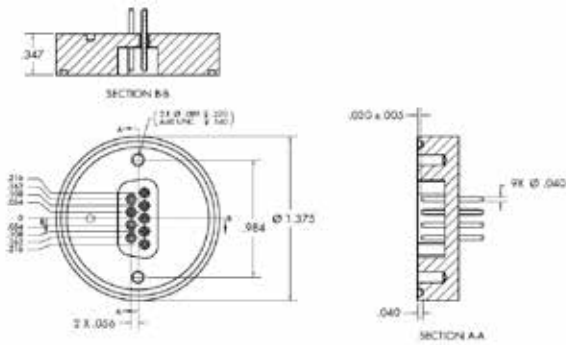
Since every 9-Pin D-Subminiature connector is custom designed for the specific customer application, it is best to contact us to discuss your requirements.

**When you are ready to start your hermetic project, our staff works with you to design products to meet those needs.**

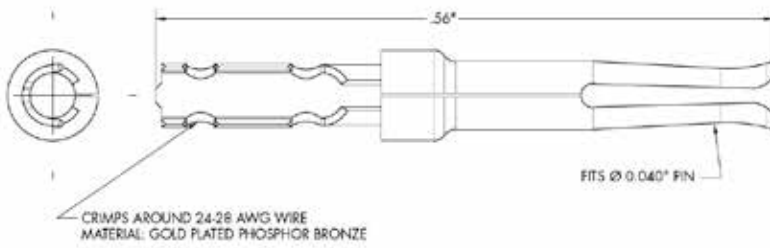


*We Energize Innovation.*

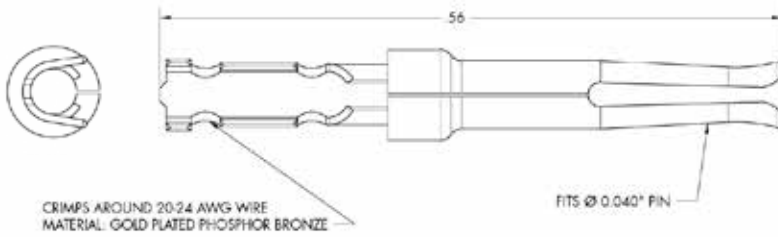
P/N 40704



P/N 70004



P/N 70005




---

**Win** Tekna Seal products are now under the Win™ brand from Winchester Interconnect.