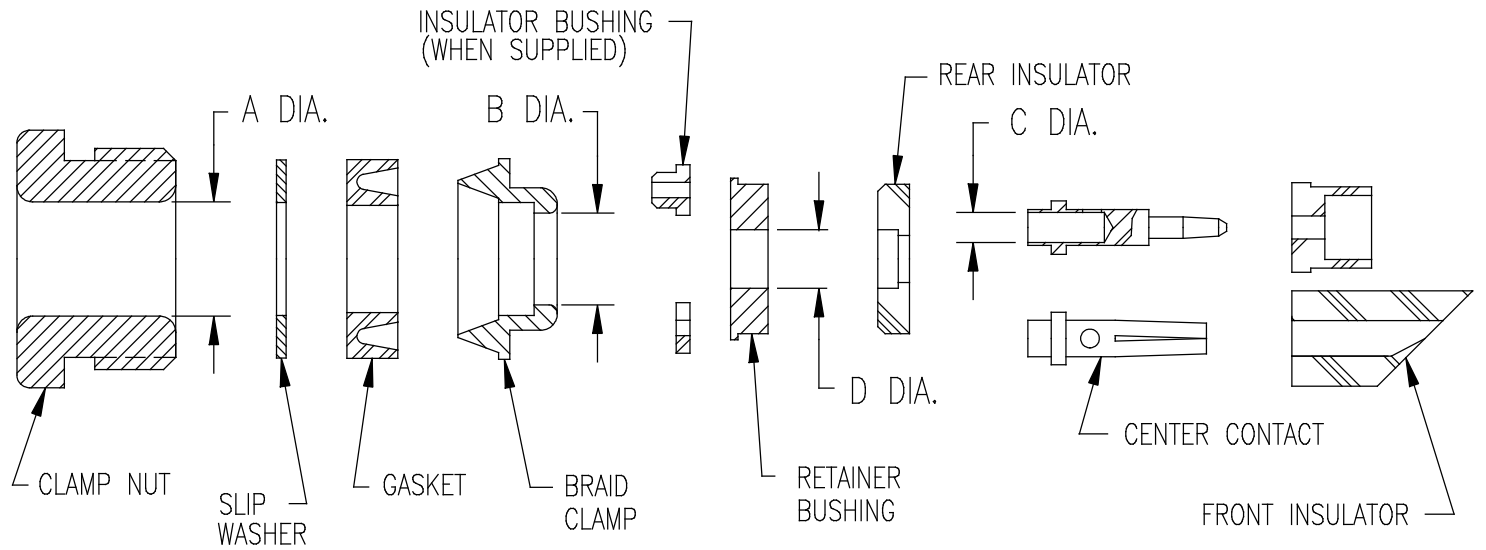


DASH NO.	M CODE	DESCRIPTION
-1	M88	PERFORATED STRIP ON ROLL
-2		INDIVIDUAL, CUT SHEETS
-3		PERFORATED STRIP IN GROUPS OF FIVE

KINGS ELECTRONICS CO. INC. TUCKAHOE, NEW YORK



NOTES:
 1. INSTRUCTION SHEET TO BE WHITE SULPHUR FREE PAPER.
 2. PRINT SHEETS 1 AND 2 ON BOTH SIDES OF SAME SHEET.

REDUCE TO 2 1/2IN. X 3IN..

MILITARY PART NUMBER	KINGS NUMBER	PIECE PART DIMS.			
		A	B	C	D
M39012/26-0101	KA-59-22	.22	.18	.044	.12
M39012/26-0102	KA-59-18	.26	.21	.033	.15
M39012/26-0103	KA-59-340	.18	.13	.044	.12
M39012/26-0104	KA-59-341	.18	.15	.044	.12
M39012/26-0117	KA-59-342	.22	.18	.033	.15
M39012/26-0018	KA-59-289	.12	.09	.022	.07
M39012/30-0101	KA-59-343	.22	.18	.044	.12
M39012/30-0102	KA-59-344	.26	.21	.033	.15
M39012/30-0103	KA-59-345	.18	.13	.044	.12
M39012/30-0104	KA-59-346	.18	.15	.044	.12
M39012/30-0117	KA-59-347	.22	.18	.033	.15
M39012/30-0118	KA-59-348	.12	.09	.022	.07

(OVER)

REVISIONS

ISSUE	CHANGES
1	CN 36658 E REDRAWN KH 10/25/95

REVISIONS

ISSUE	CHANGES
3	CN 37495 B JW 11/14/97

DRAWN

DATE	APPR.	MJB	DATE
10/25/95	KH		10/26/95



2	CN 32215 B PG 12/06/96
---	---------------------------

REVISIONS		REVISIONS		DATE
ISSUE	CHANGES	ISSUE	CHANGES	DATE
1	CN 36658 E REDRAWN KH 10/25/95	3	CN 37495 B JW 11/14/97	10/25/95
2	CN 37215 B PG 12/06/96			10/26/95

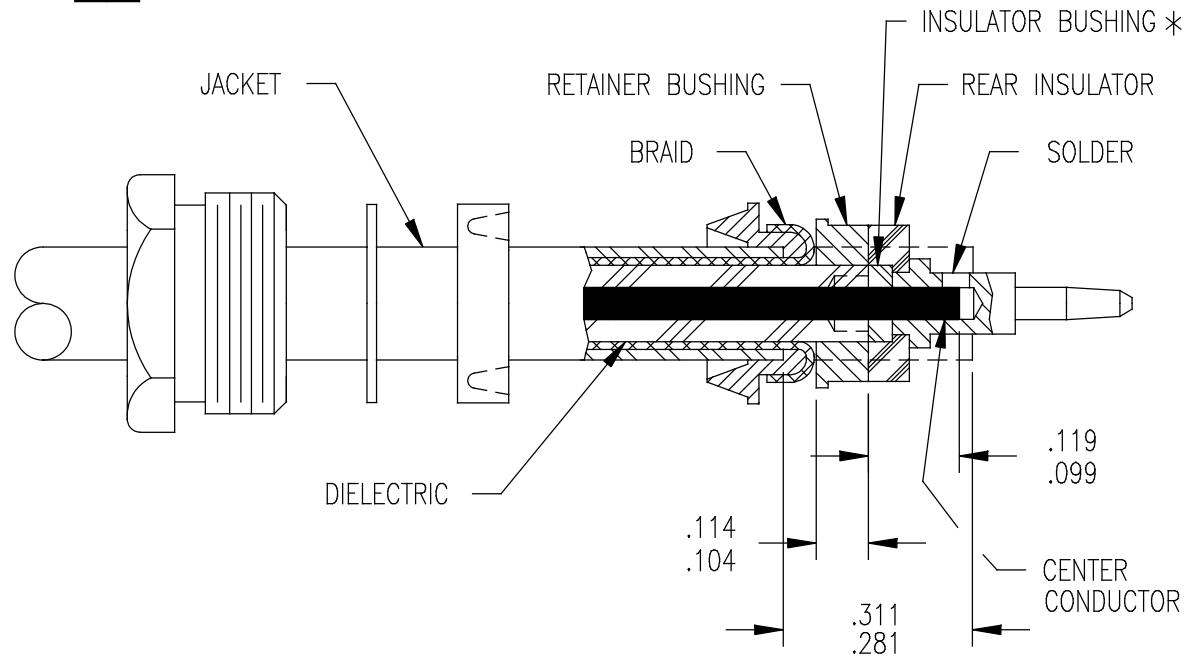
REDUCE TO 2 1/2IN. X 3IN..

(OVER)



KINGS ELECTRONICS CO. INC. TUCKAHOE, NEW YORK

3-70



1. WITH CLAMP NUT, WASHER & GASKET ON CABLE, REMOVE JACKET TO $.296 \pm .015$ DIM.
2. SLIDE BRAID CLAMP OVER BRAID AGAINST JACKET EDGE. COMB OUT BRAID WIRES, FOLD BACK OVER BRAID CLAMP & TRIM AS SHOWN.
3. REMOVE DIELECTRIC TO $.109 \pm .005$ DIM. & TRIM CENTER CONDUCTOR TO $.109 \pm .010$ DIM.
* (WHEN INSULATOR BUSHING IS USED, SUBTRACT $.031$ FROM DIELECTRIC LENGTH & ADD $.031$ TO LENGTH OF CENTER CONDUCTOR)
4. PLACE RETAINER BUSHING, REAR INSULATOR & CENTER CONTACT ON CABLE AS SHOWN & SOLDER CONTACT IN PLACE.
5. INSERT FRONT INSULATOR INTO CONNECTOR BODY, THREAD ASSEMBLY INTO CONNECTOR BODY & LOCK SECURELY. RECOMMENDED TORQUE: SINGLE BRAIDED CABLES 30 IN. LBS.
DOUBLE BRAIDED CABLES 35 IN. LBS.

3-70B