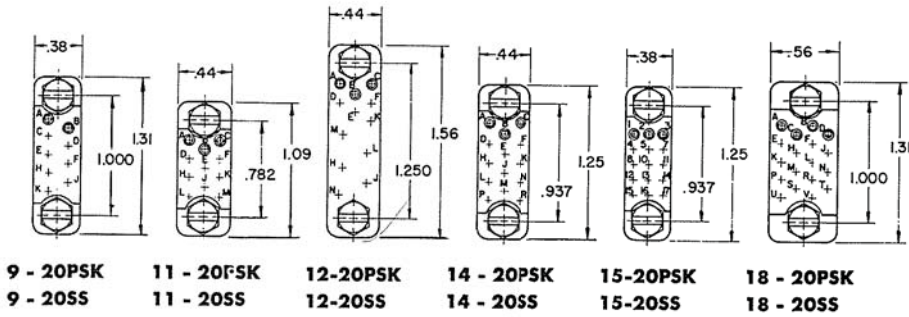
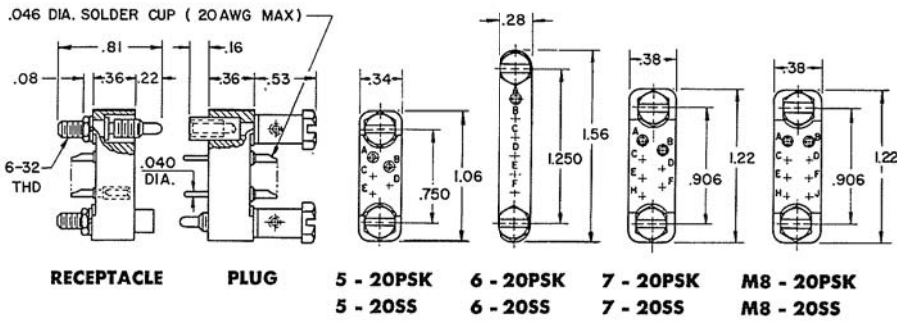
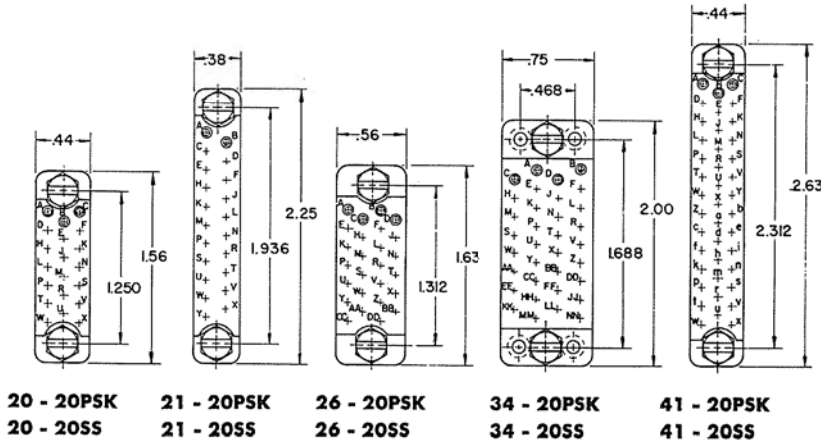


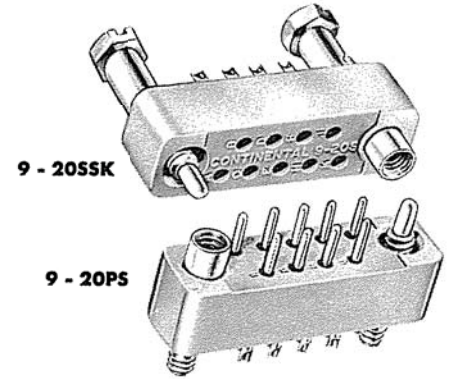
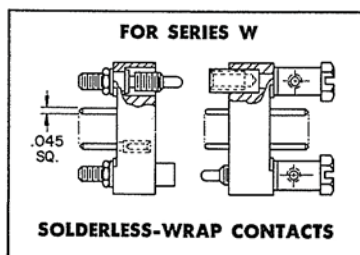
SERIES 20 polarizing screwlocks*



9 - 20PSK 11 - 20PSK 12-20PSK 14 - 20PSK 15-20PSK 18 - 20PSK
9 - 20SS 11 - 20SS 12-20SS 14 - 20SS 15-20SS 18 - 20SS

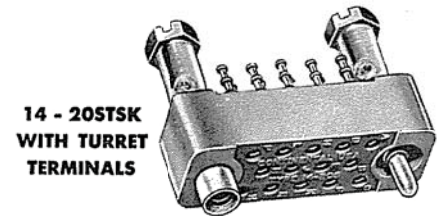


20 - 20PSK 21 - 20PSK 26 - 20PSK 34 - 20PSK 41 - 20PSK
20 - 20SS 21 - 20SS 26 - 20SS 34 - 20SS 41 - 20SS

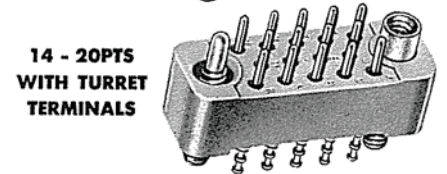


9 - 20SSK

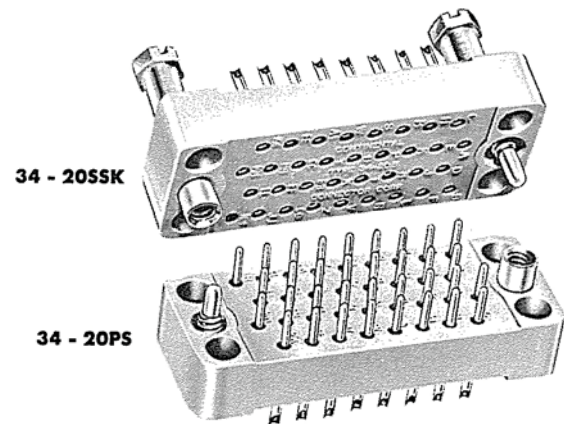
9 - 20PS



14 - 20STSK
WITH TURRET
TERMINALS



14 - 20PTS
WITH TURRET
TERMINALS

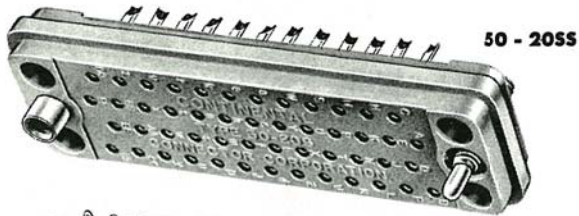


34 - 20SSK

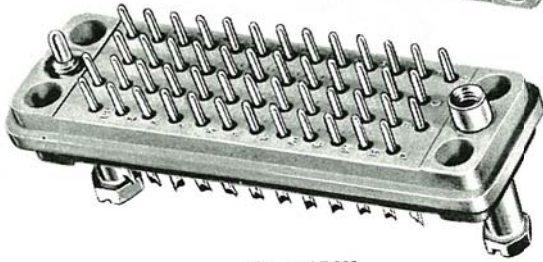
34 - 20PS

*PAT. NO. 2,746,022

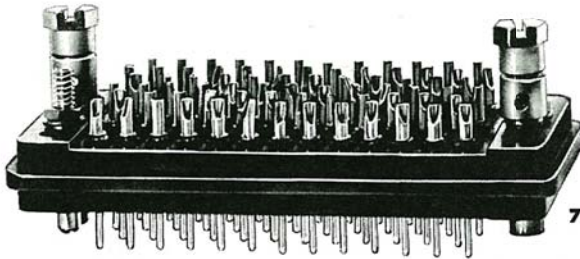
ACTUAL SIZE



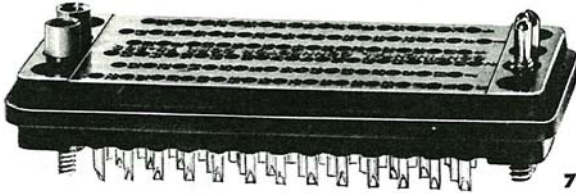
50 - 20SS



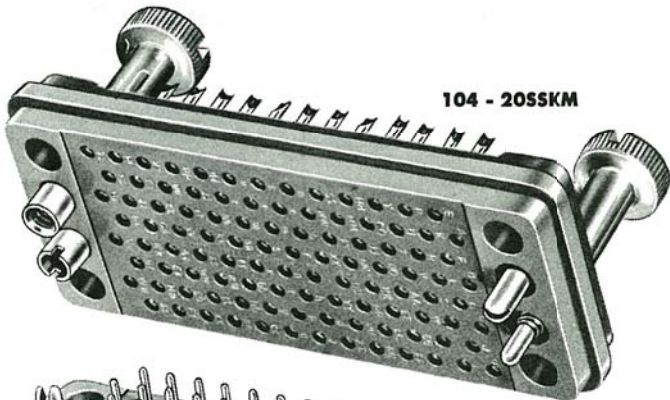
50 - 20PSK



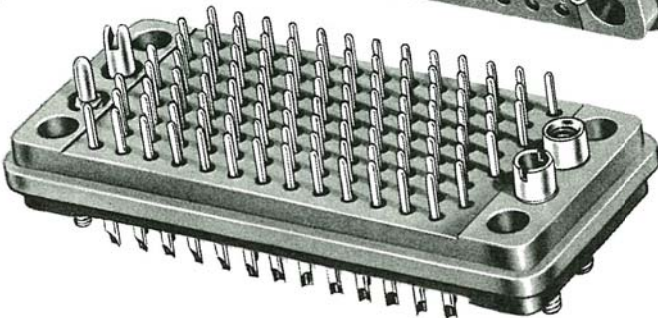
75 - 20PSK



75 - 20SS

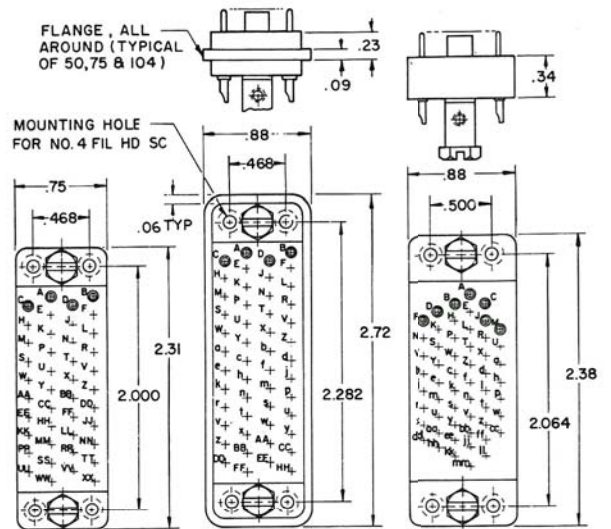


104 - 20SSKM



104 - 20PS

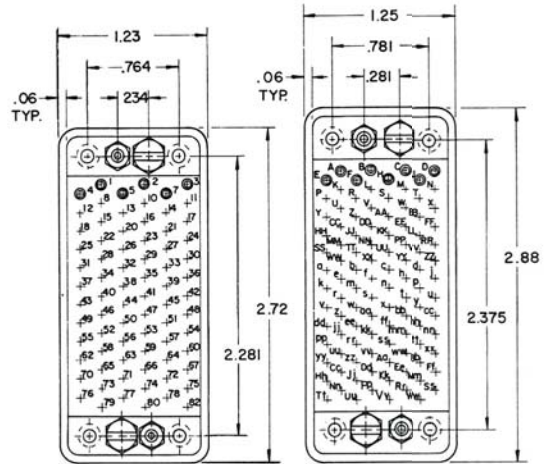
ACTUAL SIZE



42 - 20PSK
42 - 20SS

50 - 20PSK
50 - 20SS

55 - 20PSK
55 - 20SS



75 - 20PSK
75 - 20SS

104 - 20PSK
104 - 20SS

NOTES

1. Body Material: Glass reinforced Diallyl Phthalate Type GDI-30 per MIL-P-19833 (add "GD" to part number when ordering — 7-20PGDSK).
2. Pin Contact Material: Gold plated brass.
3. Socket Contact Material: Gold plated phosphor bronze.
4. Unless otherwise specified all views shown are for wiring side of plug.
5. See page 23 for typical knobs available. Other knobs can be obtained on special order — write for details.