

Winchester Electronics offers you a Telecom Delta Ribbon connector with Small C-Press® 84 Series in addition to Standard C-Press® 88 Series. The small C-Press® requires a smaller hole in the PCB, thus provides for additional space for traces between contact

positions. Both connector Series are available with two grid patterns. Sizes 50, 36, 24 and 14 positions are available in both plug and receptacle. A variety of latching and screw lock hardware kits are also available.

SPECIFICATIONS

INSULATORS

Material: Polyester thermoplastic glass reinforced, UL rated 94 V-O

Color: .085" x .151" grid, white
.085" x .169" grid, white
.085" x .160" grid, black

Insulation Resistance: 5,000 Megohms (min.)

Operating Temperature: -55°C to +105°C

CONTACTS


Material: Copper Alloy 725
Plating: Selective plating. See Plating Chart

Current Rating: 1 amp at 70°C
3 amps at 20°C

DUST COVER/INSERTION CAP

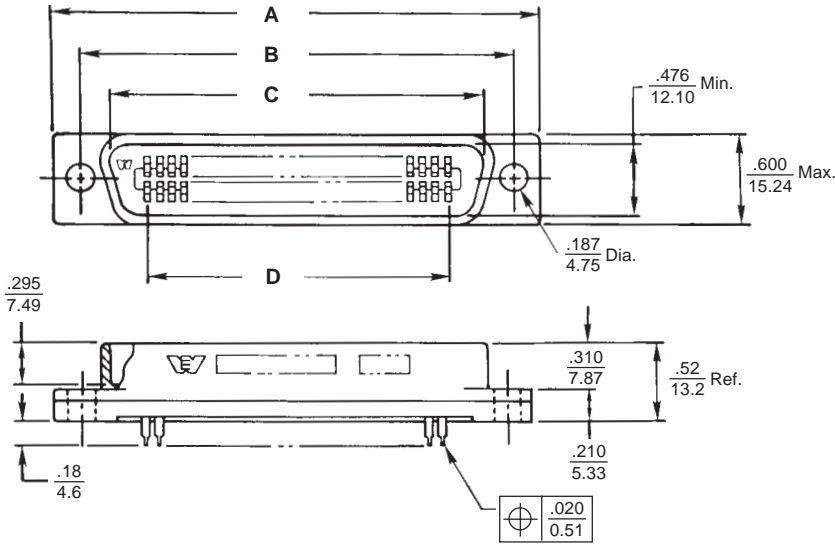
Material: Polycarbonate thermoplastic UL rated 94V-O

Color: Receptacle -Red
Plug-Blue

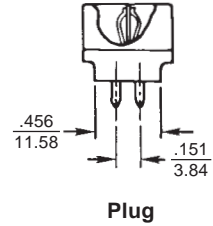
Recognized under the Component Program of Underwriters Laboratories Inc. File No. E136181, to Standard UL 1863 

OUTLINE

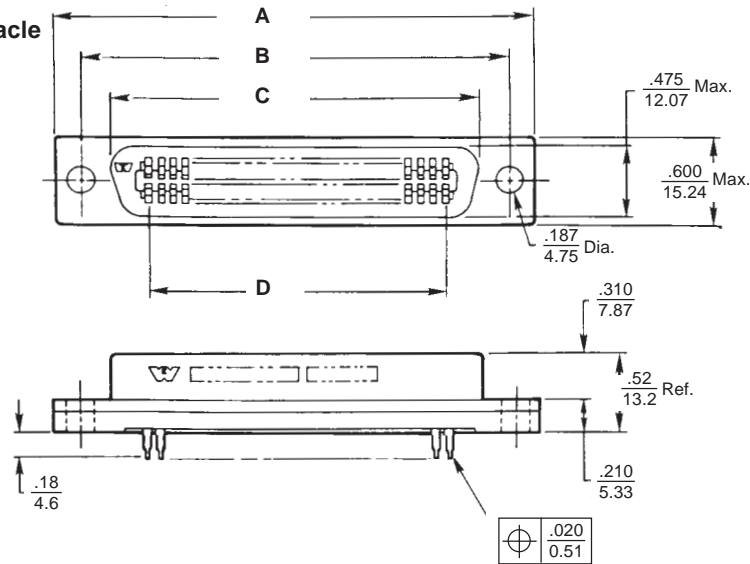
Plug



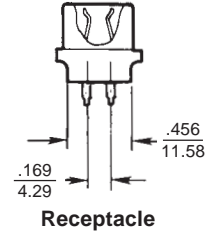
.085" x .151" Grid



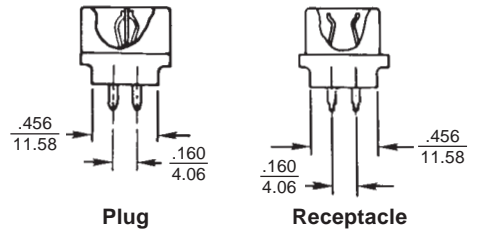
Receptacle



.085" x .169" Grid



.085" x .160" Grid



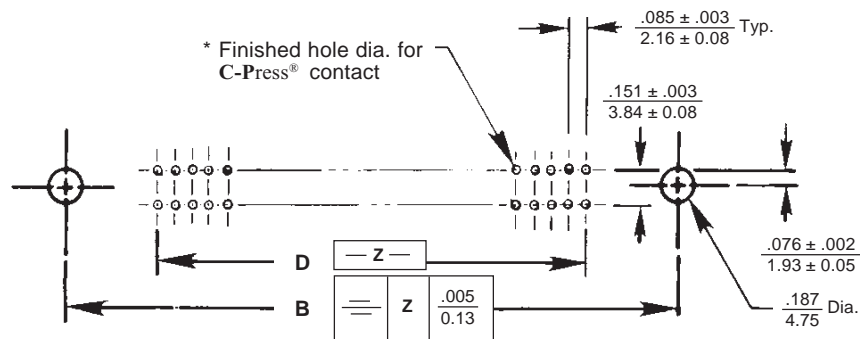
DIMENSIONS

Catalog No.	A	B	C	D
84 88-1114P			1.004	
84 88-1214P	1.745	1.417	(25.50)	.510
84 88-1114R	(44.32)	(35.99)	.997	(12.95)
84 88-1214R			(25.32)	
84 88-1124P			1.429	
84 88-1224P	2.170	1.842	(36.30)	.935
84 88-1124R	(55.12)	(46.79)	1.422	(23.75)
84 88-1224R			(36.12)	
84 88-1136P			1.939	
84 88-1236P	2.680	2.352	(49.25)	1.445
84 88-1136R	(68.07)	(59.74)	1.932	(36.70)
84 88-1236R			(49.07)	
84 88-1150P			2.534	
84 88-1250P	3.275	2.947	(64.36)	2.040
84 88-1150R	(83.19)	(74.85)	2.527	(51.82)
84 88-1250R			(64.19)	

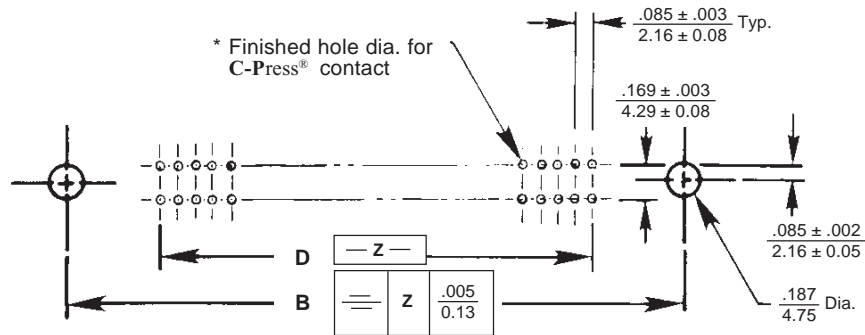
BACKPANEL REQUIREMENTS

Hole Pattern

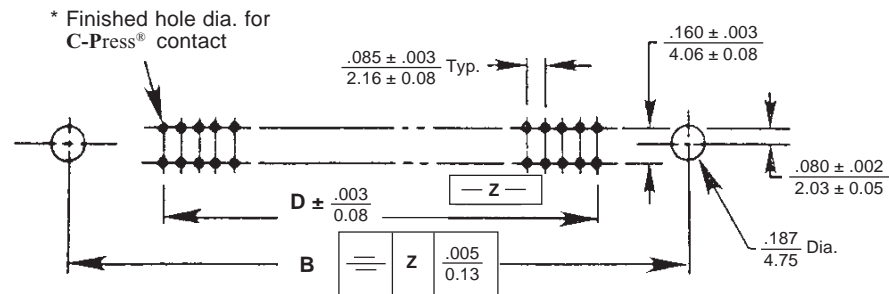
.085" x .151" Grid



.085" x .169" Grid



.085" x .160" Grid

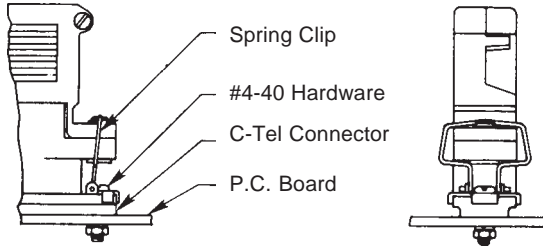


* Hole Size & Plating - Standard C-Press®:
Winchester illustrations 27311 and 27368
on page CP/4.

HARDWARE

Mating Connector With Backshell

Kit Cat. No. 84101

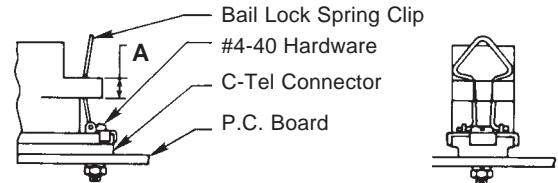


Mating Connector With Bail Lock Ears

Kit Cat. No. 84104* ("A" = .19)

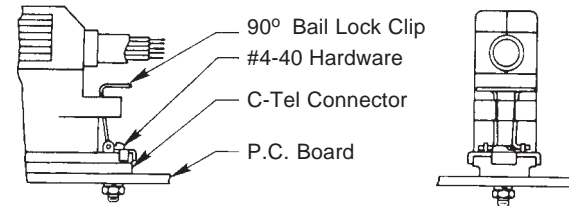
Kit Cat. No. 84105 ("A" = .09)

*Winchester Electronics Standard



Mating Connector With 90° Cable

Kit Cat. No. 84102

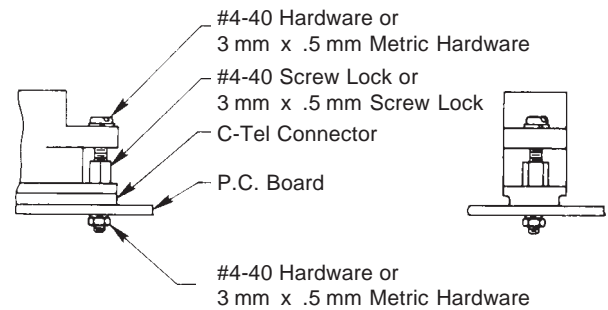


Mating Connector With Mtg. Hole

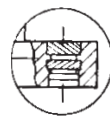
Inches: Kit Cat. No. 84103

Metric: Kit Cat. No. 84106

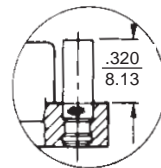
(This kit can only be used on connector without inserts)



Inserts

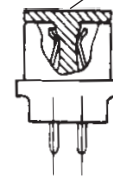


#4-40



#4-40 Standoff

Dust Cover/Insertion Cap



A dust cover that also acts as the insertion tool comes with each connector. These caps are coded red for receptacle and blue for plug per telecommunications standards.

ORDERING INFORMATION



■ Step 1

Series Code:
84 = Small C-Press®
88 = Standard C-Press®

■ Step 2

Grid Pattern:
11 = .085" x .151" (Plug)
.085" x .169" (Recept.)
12 = .085" x .160" (P&R)

■ Step 3

No. of Contacts:
14, 24, 36, 50

■ Step 4

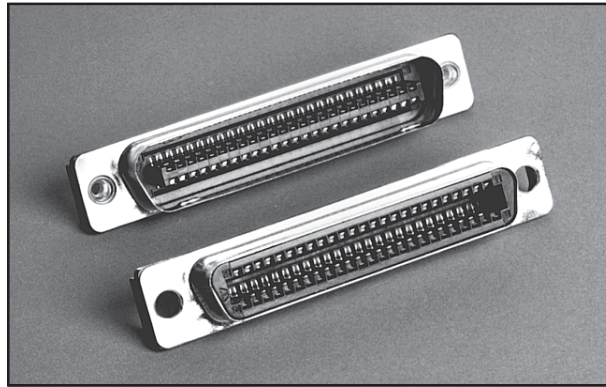
Insulator:
P = Plug
R = Receptacle

■ Step 5

Insert:
0 = No Insert
1 = #4=40 Flush Insert
2 = #4-40 Standoff

■ Step 6

Plating:
Standard -
D = .000030 Au selective plating over .000050 Ni on contact area. Bright solder on C-section
Option -
C = .000030 Au selective plating over .000050 Ni on contact area. Au Flash on C-section



Winchester Electronics offers you a Shielded Telecom Delta Ribbon connector with Small C-Press® - 84 Series in addition to Standard C-Press® 88 Series. The Small C-Press® requires a smaller hole in the PCB, thus

provides for additional space for traces between contact positions. Sizes 50, 36, and 24 positions are available in both plug and receptacle. These connectors meet industry standards as defined by RS232 and RS449.

SPECIFICATIONS

INSULATORS

Material: Polyester thermoplastic glass reinforced, UL rated 94 V-O
Color: Black
Insulation Resistance: 5,000 Megohms (min.)
Operating Temperature: -55°C to +105°C

Plating: Selective plating. See Plating Chart
Current Rating: 1 amp at 70°C
 3 amps at 20°C

CONTACTS

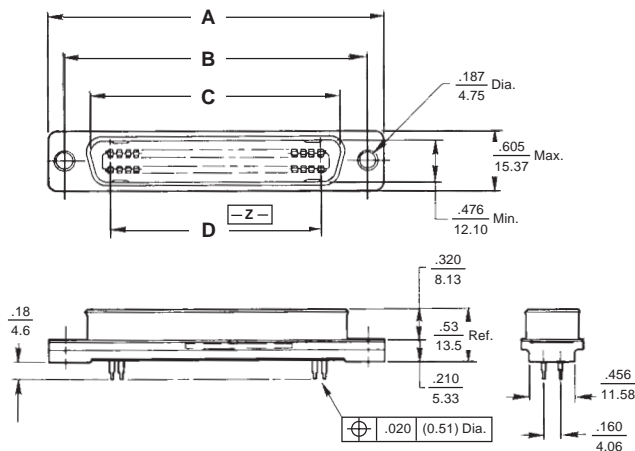
Material: Copper Alloy 725

DUST COVER/INSERTION CAP:
Material: Polycarbonate thermoplastic, UL rated 94 V-O
Color: Receptacle -Red
 Plug-Blue

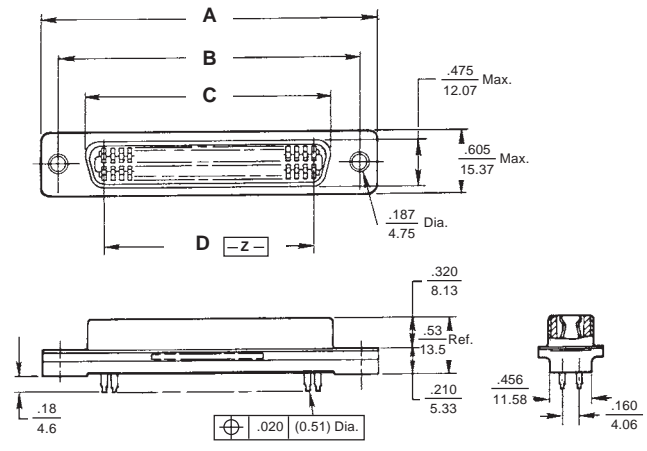
Recognized under the Component Program of Underwriters Laboratories Inc. File No. E136181, to Standard UL 1863

OUTLINE

Plug



Receptacle



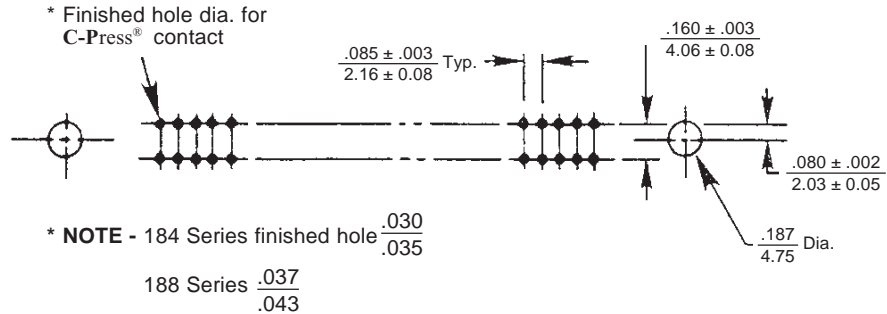
DIMENSIONS

Catalog No.	A	B	C	D
184-1224P	2.165	1.842	1.437	.935
188-1224P	(54.99)	(46.79)	(36.50)	(23.75)
184-1236P	2.675	2.352	1.938	1.445
188-1236P	(67.95)	(59.74)	(49.23)	(36.70)
184-1250P	3.270	2.947	2.538	2.040
188-1250P	(83.06)	(74.85)	(64.47)	(51.82)

BACKPANEL REQUIREMENTS

Hole Pattern

.085" x .160" Grid

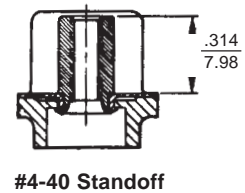
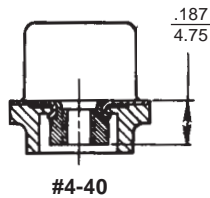


HOLE SIZE & PLATING

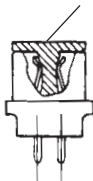
See details on page CP / 4

INSERTS

Inserts



Dust Cover/Insertion Cap



A dust cover that also acts as the insertion tool comes with each connector. These caps are coded red for receptacle and blue for plug per telecommunications standards.

ORDERING INFORMATION

