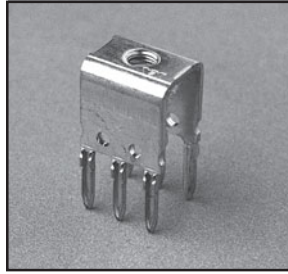


Power Terminal 6 Pin - .125" x .250" Grid
10 Pin - .100" x .300" Grid

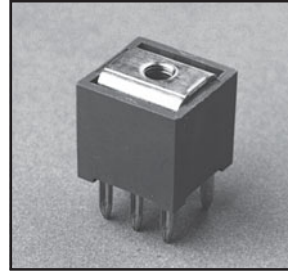
Winchester Electronics offers you a cost effective, reliable method to get power to your printed circuit board without soldering.

C-Press® compliant pin power terminals can be removed from the board and replaced with a virgin power terminal with no loss of contact reliability. Assembly is easy. Tools are available.

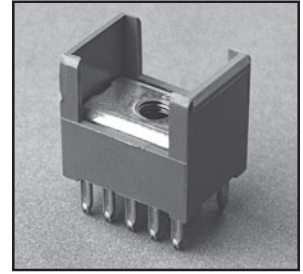
An insulator is available to shield the terminal from adjacent components. An isolator is available to prevent shorting across the top of the terminal.



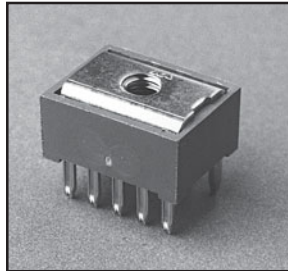
6 Pin - Bare



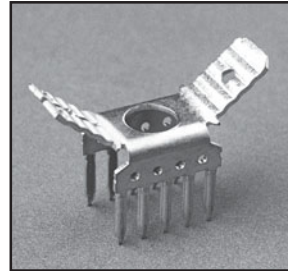
6 Pin - Insulator



10 Pin - Isolator

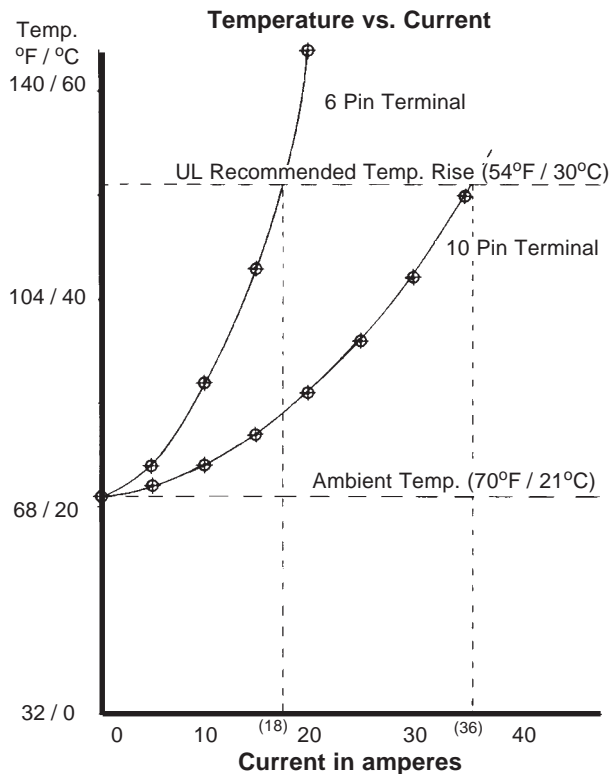


10 Pin - Insulator



10 Pin - Bare Tabs

SPECIFICATIONS



INSULATOR / ISOLATOR

Material: Nylon reinforced, UL rated 94 V-O
Insulation Resistance: 5,000 Megohms (min.)
Operating Temperature: -55°C to +105°C

CONTACTS

Material: Copper alloy 725
Plating: Tin lead
Current Rating: See chart
Contact Resistance: 2 Milliohms (max.)
Insertion Force:

6 pin 240 lbs. max
 10 pin 400 lbs. max

Retention Force:

6 pin 48 lbs. min
 10 pin 80 lbs. min

Thread Torque:

#4-40 thread 8 in.- lbs. min.
 #6-32 thread 8 in.- lbs. min.

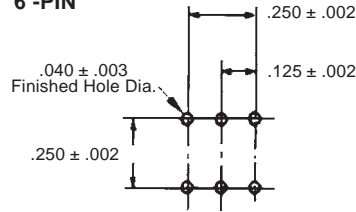
Note: Utilizing a brass screw and a .038 min. thick washer or lug.

Recognized under the Component Program of Underwriters Laboratories Inc. File No. E136181, to Standard UL 1863

BACKPANEL REQUIREMENTS

Hole pattern

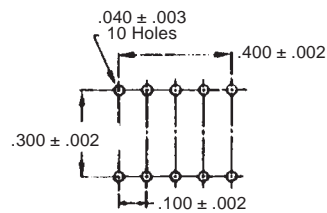
6 -PIN



Hole Size & Plating - Standard C-Press®: Winchester illustration on page CP/4.

NOTE: Consult Winchester Electronics for C-Press® applications for backpanels less than .093" thick and for bare copper plated through holes.

10 -PIN



Screw packaged separately

ORDERING INFORMATION

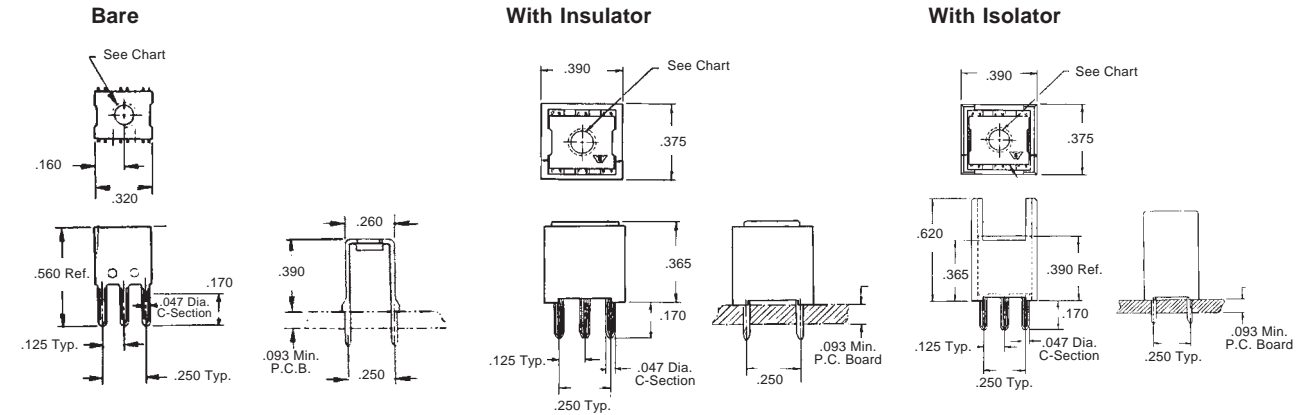
Terminal Style	Number of Pins	Hole Size	Part Number		
			Without Screw	With Screw*	Captive Screw
Bare	6	6/32	121-14207	121-14207-1	—
	10		121-27239	121-27239-1	121-27390
	6	4/40	121-14208-1	121-14208	—
	6	M3	121-14201	—	—
	10		121-14202	—	—
	10	M4	121-14202-1	—	—
	6	6/32	—	121-14207-2***	—
6	6/32	—	121-14207-3**	—	
Isolator	6	6/32	121-27295-2	121-27295-4	—
	10		121-14205	121-14205-1	121-27391
	6	4/40	121-27295-1	121-27295-3	—
	10	M3	121-14205-2	—	—
	10	—	121-24565	—	—
	10	6/32	—	121-27391*	—
Insulator	6	6/32	121-27296-2	121-27296-4	—
	10		121-14204	121-14204-1	—
	6	M3	121-27395	—	—
	10		121-27394	—	—
	6	4/40	121-27296-1	121-27296-3	—
Bare With Tabs	10	—	—	121-24539	—

Notes:

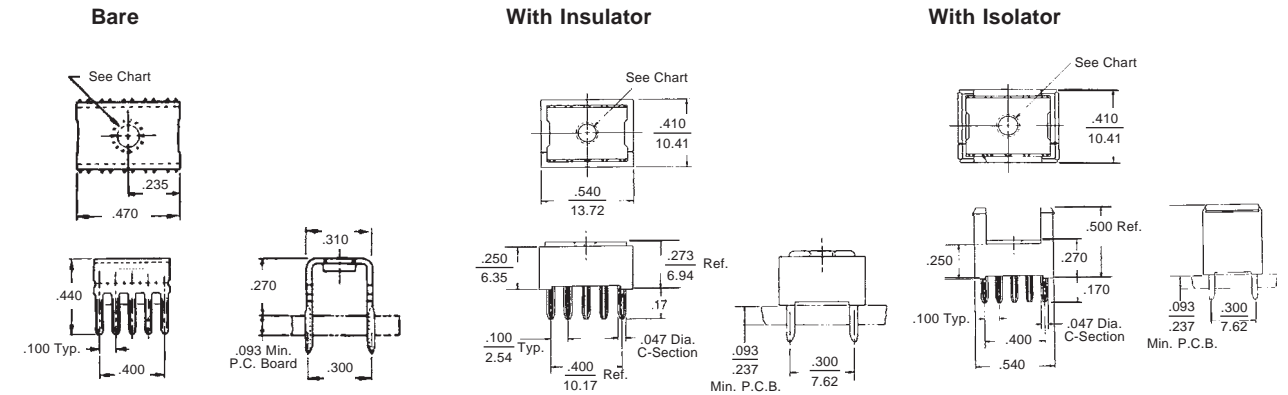
- * Torx with captive washer
- ** Screw and washer unassembled
- *** Screw and washer assembled

OUTLINE

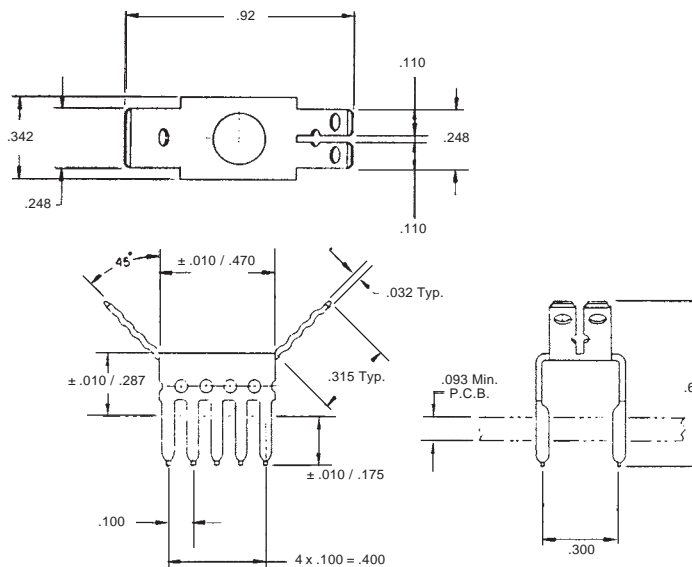
6 Pin



10 Pin



With .250" Quick Disconnect Tabs

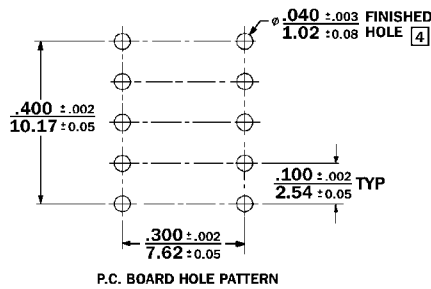
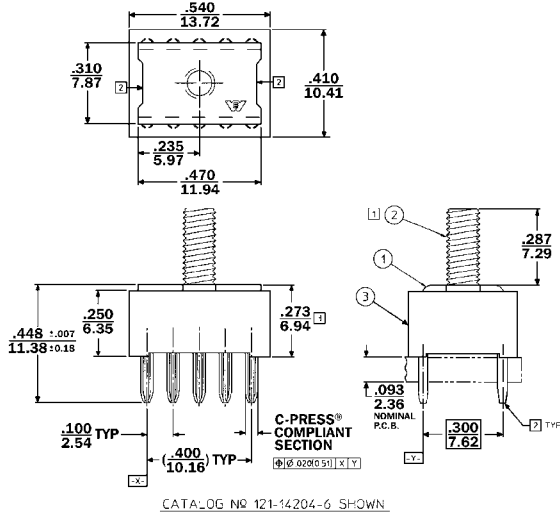


Winchester Electronics is prepared and eager to help you with your power connector needs. Our 121 Series power terminal connectors can be modified to meet your needs and fit your application.

As you can see below we can do some interesting and useful modifications for our customers. Call today and we'll engineer a solution for you.

OUTLINE

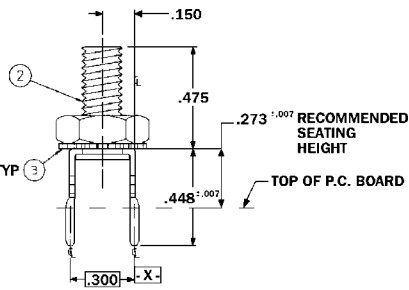
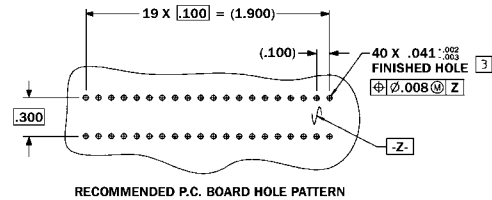
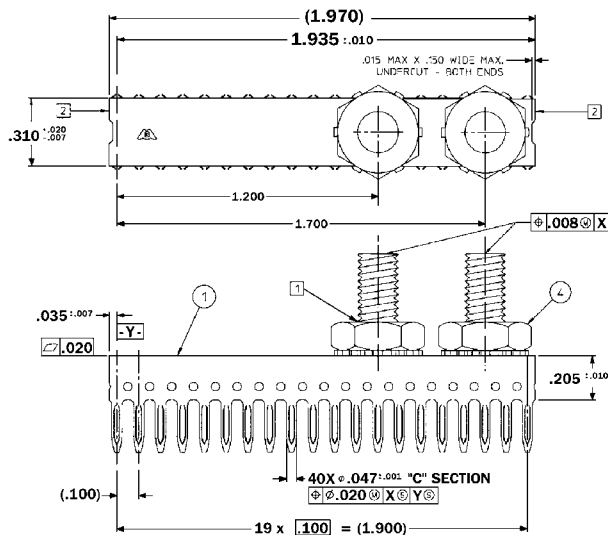
10 Pin Power Terminal With Insulator And 6/32 Stud



- MATERIALS:**
- ① Terminal Power — Copper-Nickel-Tin Alloy, CA72500 Tin/Lead Plating, Except per Note
 - ② #6-32 Stud — Steel Zinc Plate
 - ③ Insulator — Nylon, UL94V-0 Rated Color: Natural

- NOTES:**
- ① FASTENER & THREAD TO WITHSTAND 14 in-lbs MIN. TORQUE, APPLIED WITH A STANDARD #6-32 UNC-2B NUT, AND THE FASTENER TO WITHSTAND A PUSH-OUT FORCE OF 100 lbs MIN.
 - ② NO PLATING ON EDGES SHOWN.
 - ③ SEATING HEIGHT TO P.C. BOARD SURFACE.
 - ④ PLATED THROUGH HOLE REQUIREMENTS PER DWG NO 27331.
5. INSTALLATION TOOLING:
INSERTION NO 107-43940-01, REMOVAL NO 107-42503, IMPACT HANDLE NO 107-42055

80 Amp Power Buss Strp



CATALOG NO. 121-29293-02 SHOWN

- NOTES: UNLESS OTHERWISE SPECIFIED**
- ① FASTENER & THREAD TO WITHSTAND 14 IN-LBS MIN. TORQUE, APPLIED WITH A STANDARD #10-32 UNC-2B NUT, AND THE FASTENER TO WITHSTAND A PUSH-OUT FORCE OF 100 LBS. MIN.
 - ② NO PLATING ON EDGES SHOWN.
 - ③ FOR HOLE REQUIREMENT REQUEST WED DWG. 27331.
 - ④ CUSTOMER TOOLING: INSERTION TOOL NO 107-43939-01.

- MATERIALS**
- ① Power Buss — Material: Copper Alloy #725 Finish: Tin-Lead Plated Except per ②
 - ② #10-32 Stud — Material: Steel Finish: Zinc Plated
 - ③ #10 External Tooth Washer — Material: Steel Finish: Zinc Plated
 - ④ #10-32 Hex Machine Screw Nut — Material: Steel Finish: Zinc Plated

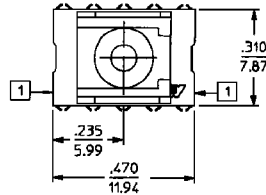
Winchester Electronics has combined C-Press® compliant pin technology with a 3ag FUSECLIP® to create another solderless printed circuit device.

- For 1/4" diameter fuses
- 30AMP @ 30°C rise
- -55°C to 105°C operating temperature

OUTLINE

MATERIALS & FINISHES

- ① Power Terminal — Material: Copper-Nickel-Tin Alloy, CDA 72500
Finish: Tin Lead Plating
- ② Fuse Clip — Material: Beryllium Copper
Finish: Silver Plating
- ③ Eyelet — Material: Stainless Steel
Finish: Tin Plating

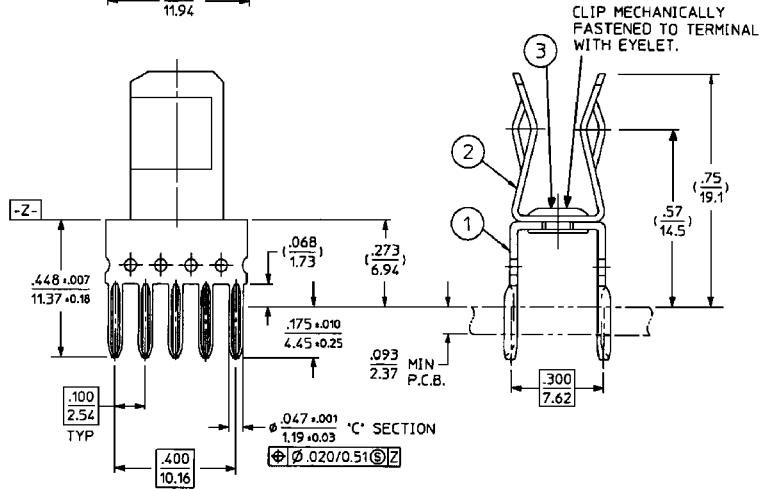


CATALOG No 121-29275-1 SHOWN

PERFORMANCE CHARACTERISTICS

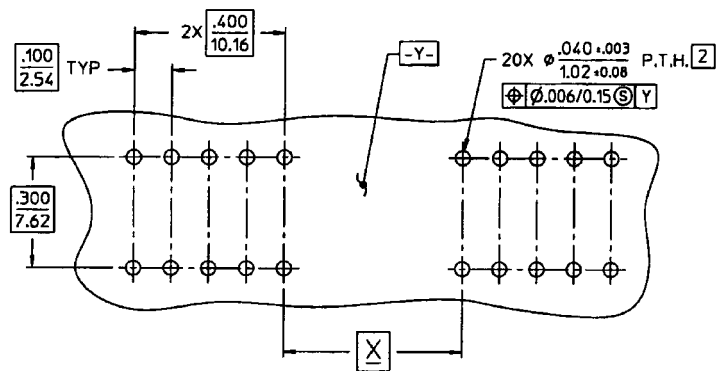
C-Press® Performance:

- Maximum insertion force, 10 Pin — 400 lbs. max.
- Minimum retention force, 10 Pin — 80 lbs. min.
- Number of repair cycles without hole deformation or performance loss — 3
- Contact to PTH electrical resistance — 2 milliohms max.



BACKPANEL REQUIREMENTS

FUSE LENGTH	X
5/8	.100 2.54
3/4	.150 3.81
7/8	.275 6.99
1 1/16	.475 12.07
1 1/4	.650 16.51
1 7/16	.850 21.59



RECOMMENDED P.C. BOARD HOLE REQUIREMENTS