

**RS232 & RS449 Compatible**

C-Press® D-Subminiature connectors are pre-assembled for easy one-step assembly to the board. Contacts are individually removable and replaceable through the insulator. For the socket connector, the upper molding must be removed before contacts can be removed or replaced. The upper moldings snaps back into place. Insulators are removable and replaceable without disturbing the contacts. This connector offers all the advantages of an

EIA P.C. mount connector with the added feature of solderless press-fit C-Press® contacts. The socket connector is the closed entry type to avoid misalignment when mating. Both the pin and socket versions come in sizes 9, 15, 25 and 37 positions. Threaded standoffs and inserts are available. These connectors meet industry standards as defined by RS232 and RS449.

**SPECIFICATIONS**


**INSULATORS**

**Material:** Polyester thermoplastic glass reinforced, UL rated 94 V-O  
**Color:** Natural  
**Insulation Resistance:** 5,000 Megohms (min.)  
**Operating Temperature:** -55°C to +105°C

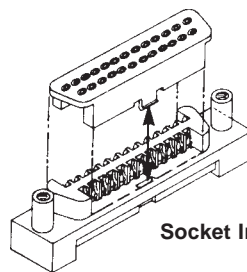
**CONTACTS**

**Material:** Copper Alloy 725  
**Plating:** Selective plating. See Plating Chart  
**Current Rating:** 1 amp at 70°C  
 3 amps at 20°C  
**Insertion Force (Compliant Area):** 40 lbs. or less, individual pin  
**Retention Force (Compliant Area):** 10 lb minimum, individual pin

**REMOVABLE CLOSED ENTRY COVER**

Recognized under the Component Program of Underwriters Laboratories Inc. File No. E136181, to Standard UL 1863 

**C-Press® D-Sub Socket Connector**

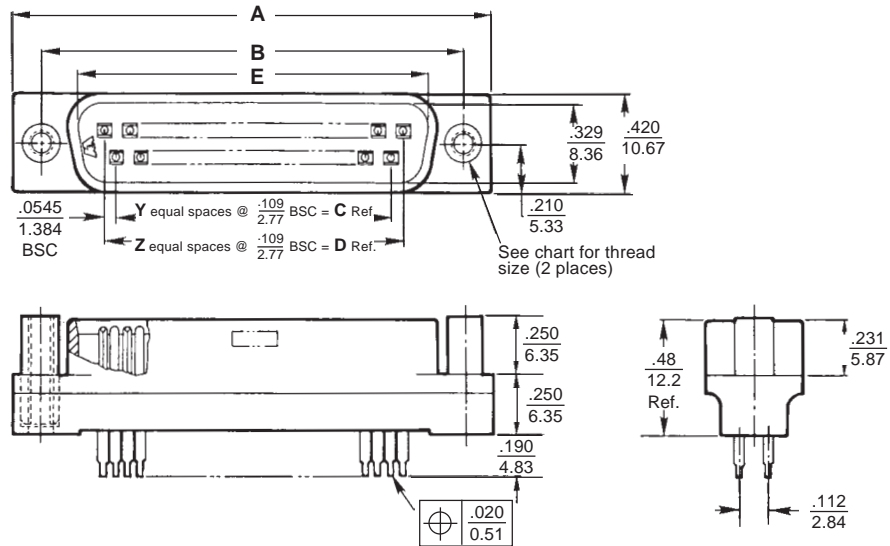


Socket Insulator

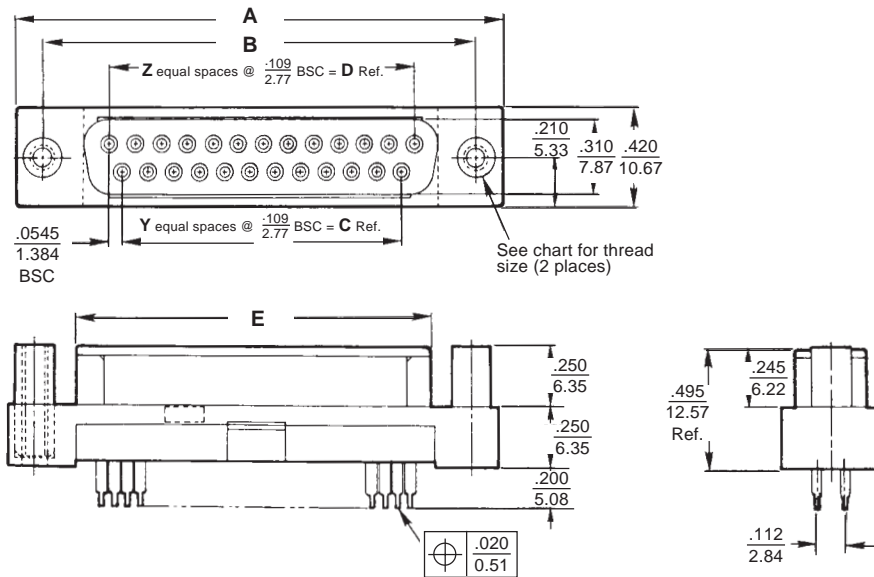
Individual contacts can be removed and replaced with a simple hand tool. See page CP/51 for tool part numbers.

OUTLINE

Pin



Socket

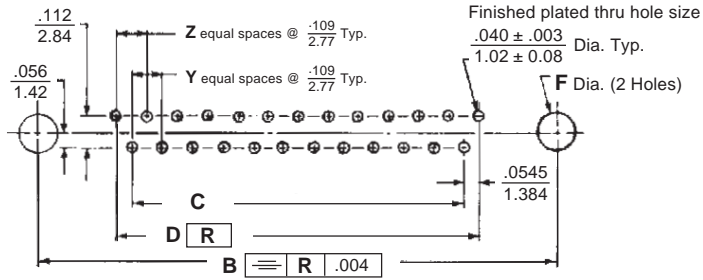


DIMENSIONS

Catalog No.	A	B	C	D	E	F-1	F-2	Y	Z
89-1109S	1.222	.984	.327	.436	.640 (16.26)	.136 (3.45)	.106 (2.69)	3	4
89-1109P	(31.04)	(24.99)	(8.30)	(11.07)	.666 (16.92)				
89-1115S	1.550	1.312	.654	.763	.968 (24.59)	#4-40 UNC Thread Only	#2-56 UNC Thread Only	6	7
89-1115P	(39.37)	(33.32)	(16.61)	(19.38)	.994 (25.25)				
89-1125S	2.090	1.852	1.199	1.308	1.508 (38.30)	#4-40 UNC Thread Only	#2-56 UNC Thread Only	11	12
89-1125P	(53.09)	(47.04)	(30.45)	(33.22)	1.534 (38.96)				
89-1137S	2.738	2.500	1.853	1.962	2.156 (54.76)				
89-1137P	(69.54)	(63.50)	(47.07)	(49.83)	2.182 (55.42)			17	18

BACKPANEL REQUIREMENTS

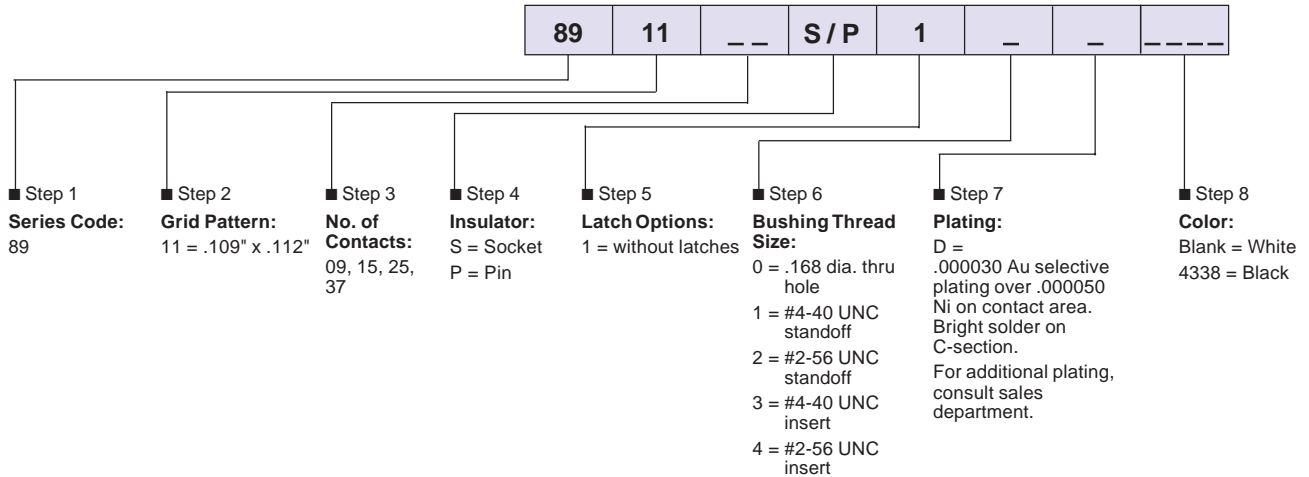
Hole pattern

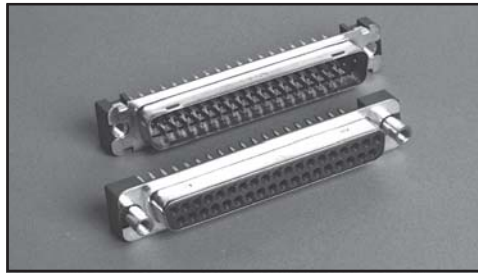


Hole Size & Plating - Standard C-Press®:  
Winchester illustration on page CP/4.

**NOTE:** Consult Winchester Electronics for C-Press® applications for backpanels less than .093" thick and for bare copper plated through holes.

ORDERING INFORMATION





Winchester Electronics offers you a D-Subminiature pin and socket connector with metal shielding to meet your FCC requirements on EMI, ESD and RFI. With these solderless C-Press® contacts, input/output lines can be brought directly to any location on the P.C. backpanel. These connectors meet industry standards as defined by RS232 and RS449.

are individually removable and replaceable through the insulator. Upper molding on socket connector snaps easily back into place.

These C-Press® Series 189 connectors can be specified with 9, 15, 25, and 37 contact positions. The socket connector is the closed entry type to avoid misalignment when mating.

Hardware options include threaded inserts, threaded standoffs, grounded standoffs, and a quick latch system. Ground straps are also available.

As with other Winchester Electronics D-Sub connectors, they are pre-assembled and contacts

**SPECIFICATIONS**

**INSULATORS**

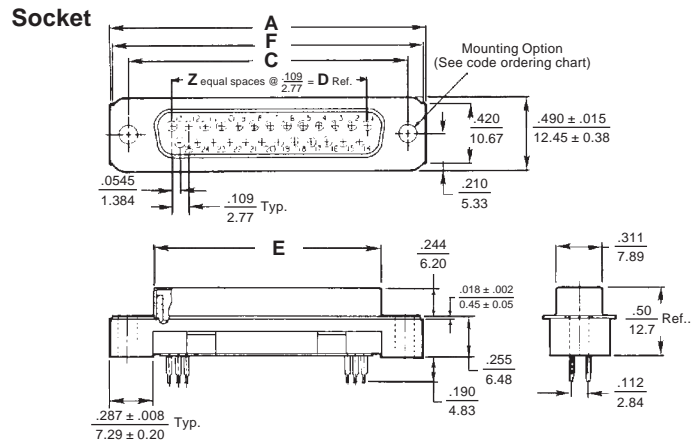
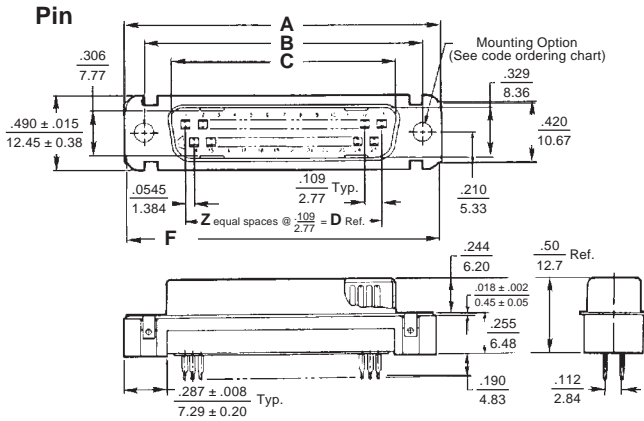
**Material:** Polyester thermoplastic glass reinforced, UL rated 94 V-O  
**Color:** Black  
**Shield:** Tin plated steel  
**Insulation Resistance:** 5,000 Megohms (min.)  
**Operating Temperature:** -55° to +105°C

**CONTACTS**

**Material:** Pin - Copper Alloy 725  
 Socket - Beryllium Copper  
**Plating:** Selective plating. See Ordering Chart  
**Current Rating:** 1 amp at 70°C  
 3 amps at 20°C  
**Insertion Force**  
 (Compliant Area): 40 lbs. or less, individual pin  
**Retention Force**  
 (Compliant Area): 10 lb. minimum, individual pin

Recognized under the Component Program of Underwriters Laboratories Inc. File No. E136181, to Standard UL 1863

**OUTLINE**

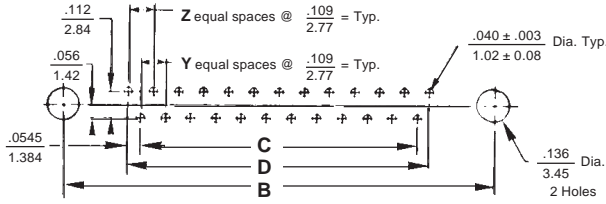


**DIMENSIONS**

Catalog No.	A±.006	B	C	D	E	F±.015	Y	Z
189-1109S	1.222 (31.04)	.984 (24.99)	.327 (8.30)	.436 (11.07)	.643 (16.33)	1.213 (30.81)	3	4
189-1109P					.666 (16.92)			
189-1115S	1.550 (39.37)	1.312 (33.32)	.654 (16.61)	.763 (19.38)	.971 (24.66)	1.541 (39.14)	6	7
189-1115P					.994 (25.25)			
189-1125S	2.090 (53.09)	1.852 (47.04)	1.199 (30.45)	1.308 (33.22)	1.511 (38.38)	2.088 (53.04)	11	12
189-1125P					1.534 (38.96)			
189-1137S	2.738 (69.54)	2.500 (63.50)	1.853 (47.07)	1.962 (49.83)	2.159 (54.84)	2.729 (69.32)	17	18
189-1137P					2.182 (55.42)			

BACKPANEL REQUIREMENTS

Hole pattern

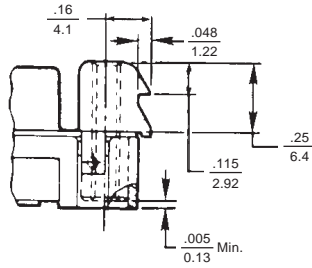


**Hole Size & Plating - Standard C-Press®:**  
Winchester illustration on page CP/4.

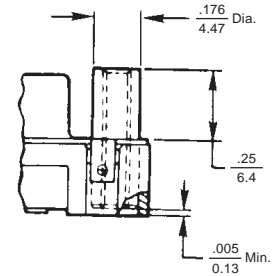
**NOTE:** Consult Winchester Electronics for C-Press® applications for backpanels less than .093" thick and for bare copper plated through holes.

Mounting Options

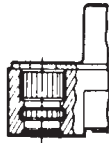
#4-40 or M3 Latch



#4-40 or #2-56 Standoff Bushing



#4-40 or #2-56 Insert



ORDERING INFORMATION

	<b>189</b>	<b>11</b>	<b>--</b>	<b>S / P</b>	<b>--</b>	<b>--</b>	<b>----</b>
■ Step 1	■ Step 2	■ Step 3	■ Step 4	■ Step 5	■ Step 6	■ Step 7	
<b>Series Code:</b> 189	<b>Grid Pattern:</b> 11 = .109" x .112"	<b>No. of Contacts:</b> 09, 15, 25, 37	<b>Insulator:</b> S = Socket P = Pin	<b>Mounting Options:</b> 0 = .125" dia. thru holes (-4338 only) 1 = #4-40 thru latch (-4338 only) 2 = M3-0.5 thru latch (-4338 only) 3 = #4-40 standoff 4 = #2-56 standoff 5 = #4-40 insert 6 = #2-56 insert 7 = Ground straps with thru holes (-4514 only) 8 = #4-40 ground standoff (-4338 only) 9 = #2-56 ground standoff (-4338 only) 10 = .168" dia. thru holes 11 = M-3 insert 12 = M-3 ground latch 13 = M-3 ground standoff	<b>Plating:</b> D = .000030 Au selective plating over .000050 Ni on contact area. Bright solder on C-section. For additional plating, consult sales department.	<b>Grounding Strap:</b> 4514 = With 4338 = Without	