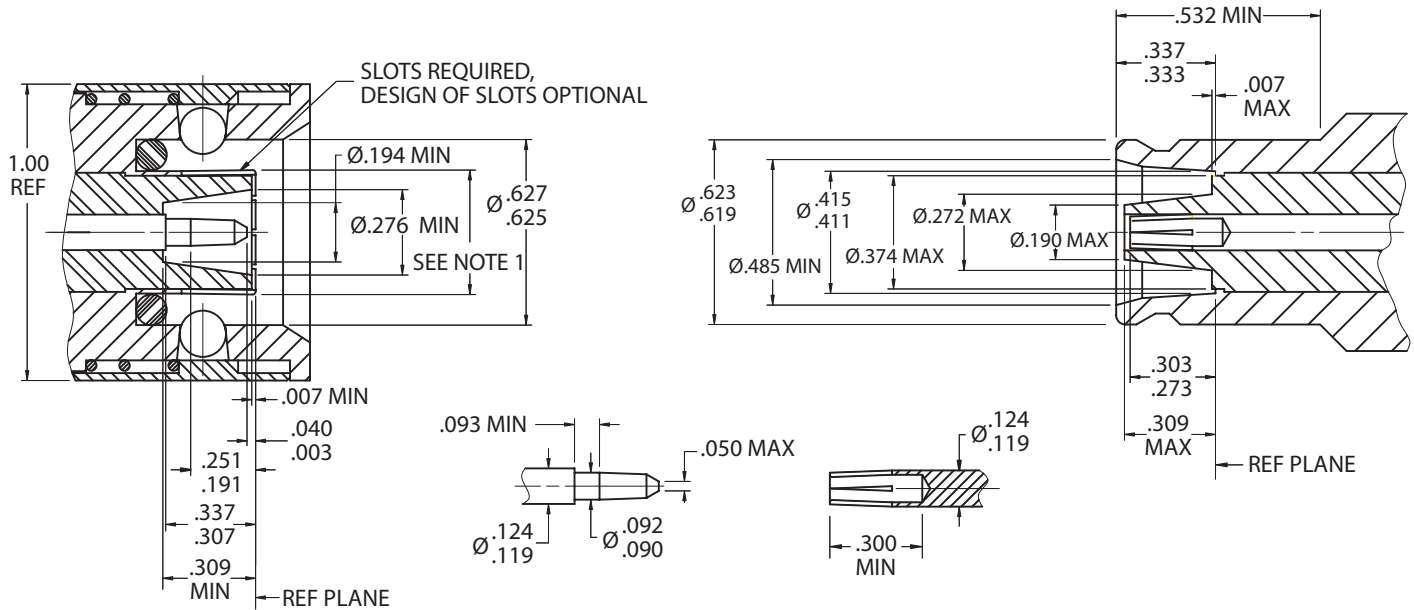




The Power of Creativity™

## QDS INTERFACE



Note 1. The ID of contact fingers when inserted into Ø.411 ID max test ring shall be Ø.377 min.

### ELECTRICAL

Nominal Impedance	50 ohms
Frequency Range	DC to 6 GHz
Voltage Rating	1,000 volts rms
Dielectric Withstanding Voltage	3,000 volts rms
Insulation Resistance	5,000 megohms
VSWR	1.35 max DC - 6 GHz

### MECHANICAL

Mating Characteristics	per TRU standards (ref MIL-C-18867A)
Connector Durability	500 cycles min.
Cable Attachment	Clamp

### MATERIALS / FINISHES

Body	Brass, Silver or Nickel Plated
Contacts (Inner)	Female: Beryllium Copper, Silver or Gold Plated Male: Brass, Silver or Gold Plated
Contacts (Outer)	Brass, Silver or Nickel Plated
Contacts (Slotted)	Beryllium, Silver or Nickel Plated
Insulators	Teflon
Gaskets & Seals	Silicone Rubber

### ENVIRONMENTAL

Temperature Rang:	-67°F to +390°F (-55°C to +199°C)
Vibration	MIL-STD-202 Method 204 (Test Cond. B)
Shock	MIL-STD-202 Method 213 (Test Cond. I)
Moisture Resistance	MIL-STD-202 Method 106
Corrosion (salt spray)	MIL-STD-202 Method 101 Test Cond. B)

TRU Corporation