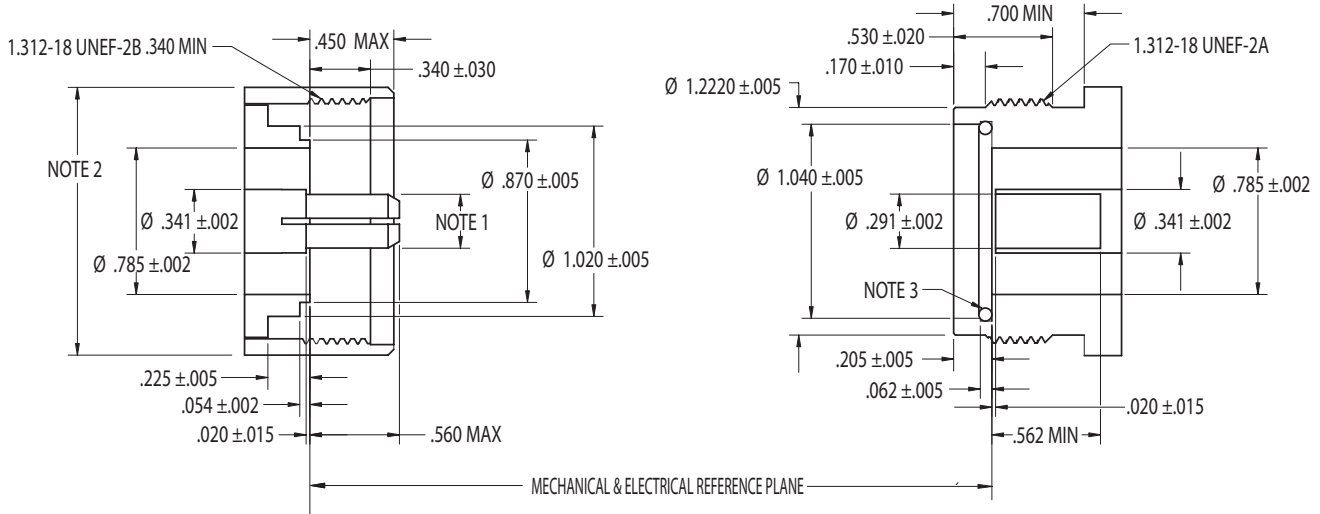




The Power of Creativity™

7/8" MEIA™ INTERFACE



Notes: 1. Flared to mate with .291 ±.002 dia. 2. Size and shape of coupling nut are optional. 3. O-ring/gasket mating seal optional.

ELECTRICAL

Nominal Impedance: 50 ohms
 Frequency Range: DC to 6 GHz
 Voltage Rating: 2,800 volts rms
 Dielectric Withstanding Voltage: 4,000 volts rms
 Insulation Resistance: 10,000 megohms
 VSWR: 1.30 max DC-7 GHz
 Intermodulation: -155 dBc

ENVIRONMENTAL

Temperature Range: -85°F to +329°F (-65°C to +165°C)
 Vibration: MIL-STD-202 Method 204 (Test Cond. B)
 Shock: MIL-STD-202 Method 213 (Test Cond. I)
 Moisture Resistance: MIL-STD-202 Method 106
 Corrosion (salt spray): MIL-STD-202 Method 101 (Test Cond. B)

MECHANICAL

Mating Characteristics: per IEC 169-4 or DIN 47223 as applicable
 Connector Durability: 500 cycles min.
 Cable Attachment: Clamp

MATERIALS / FINISHES:

Body: Brass, Silver or Nickel Plated
 Contacts (Inner): Female: Beryllium Copper, Silver or Gold Plated. Male: Brass, Silver or Gold Plated
 Contacts (Outer): Brass, Silver or Nickel Plated
 Contacts (Slotted): Beryllium, Silver or Nickel Plated
 Insulators: Teflon
 Gaskets & Seals: Silicone Rubber

TRU Corporation

245 Lynnfield Street, Peabody, MA 01960 1-800-COAX-TRU (1-800-262-9878) www.trucorporation.com