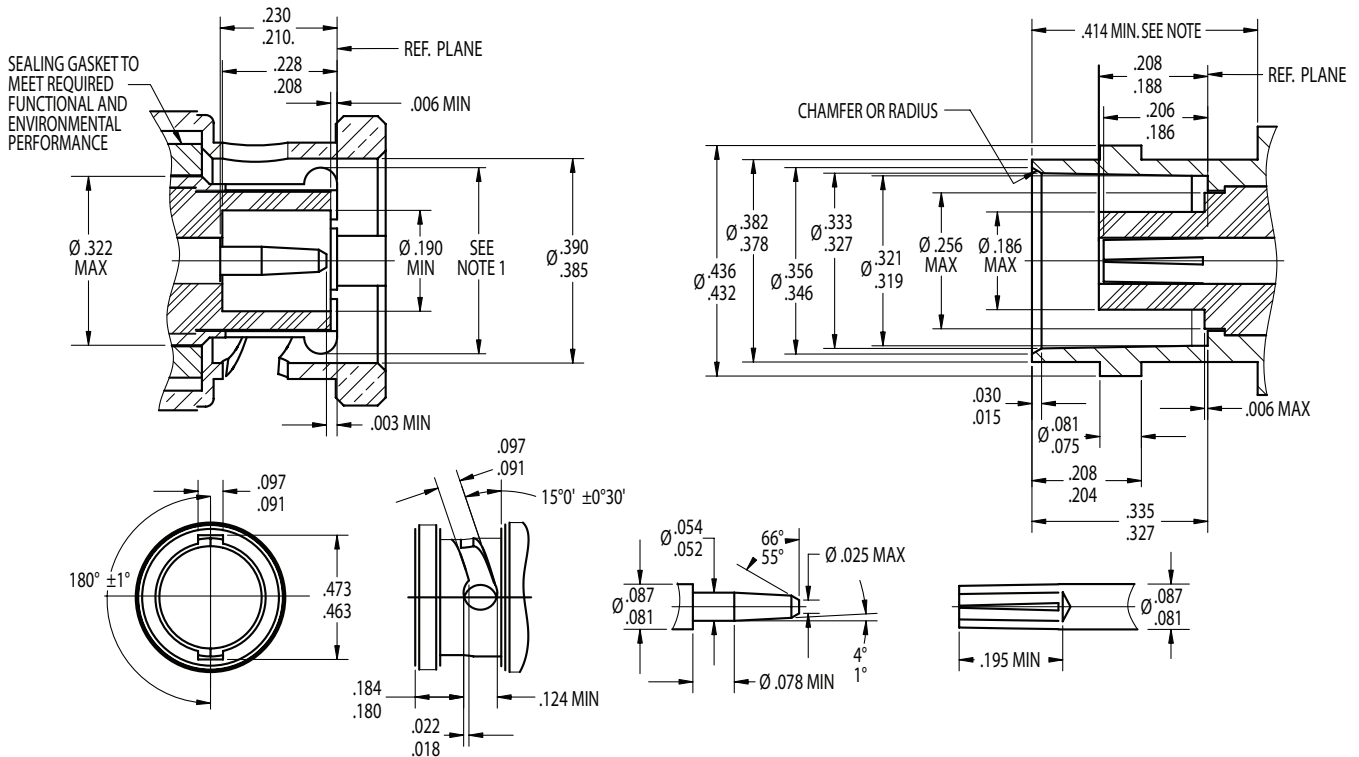




The Power of Creativity™

## BNC INTERFACE - DRAFT



NOTES: 1. FLARED TO MEET GAUGE TEST. 2. CLEARANCE FOR THE MATING CONNECTOR COUPLING NUT

### ELECTRICAL

Nominal Impedance: 50 ohms  
 Frequency Range: DC to 7 GHz  
 Voltage Rating: 2,700 volts rms  
 Dielectric Withstanding Voltage: 4,000 volts rms  
 Insulation Resistance: 10,000 megohms  
 VSWR: 1.30 max DC-7 GHz  
 Intermodulation: -155 dBc

### MECHANICAL

Mating Characteristics: per IEC 169-4 or DIN 47223 as applicable  
 Connector Durability: 500 cycles min.  
 Cable Attachment: Clamp

### MATERIALS / FINISHES:

Body: Brass, Silver or Nickel Plated  
 Contacts (Inner): Female: Beryllium Copper, Silver or Gold Plated. Male: Brass, Silver or Gold Plated  
 Contacts (Outer): Brass, Silver or Nickel Plated  
 Contacts (Slotted): Beryllium, Silver or Nickel Plated  
 Insulators: Teflon  
 Gaskets & Seals: Silicone Rubber

### ENVIRONMENTAL

Temperature Range: -85°F to +329°F (-65°C to +165°C)  
 Vibration: MIL-STD-202 Method 204 (Test Cond. B)  
 Shock: MIL-STD-202 Method 213 (Test Cond. I)  
 Moisture Resistance: MIL-STD-202 Method 106  
 Corrosion (salt spray): MIL-STD-202 Method 101 (Test Cond. B)

TRU Corporation