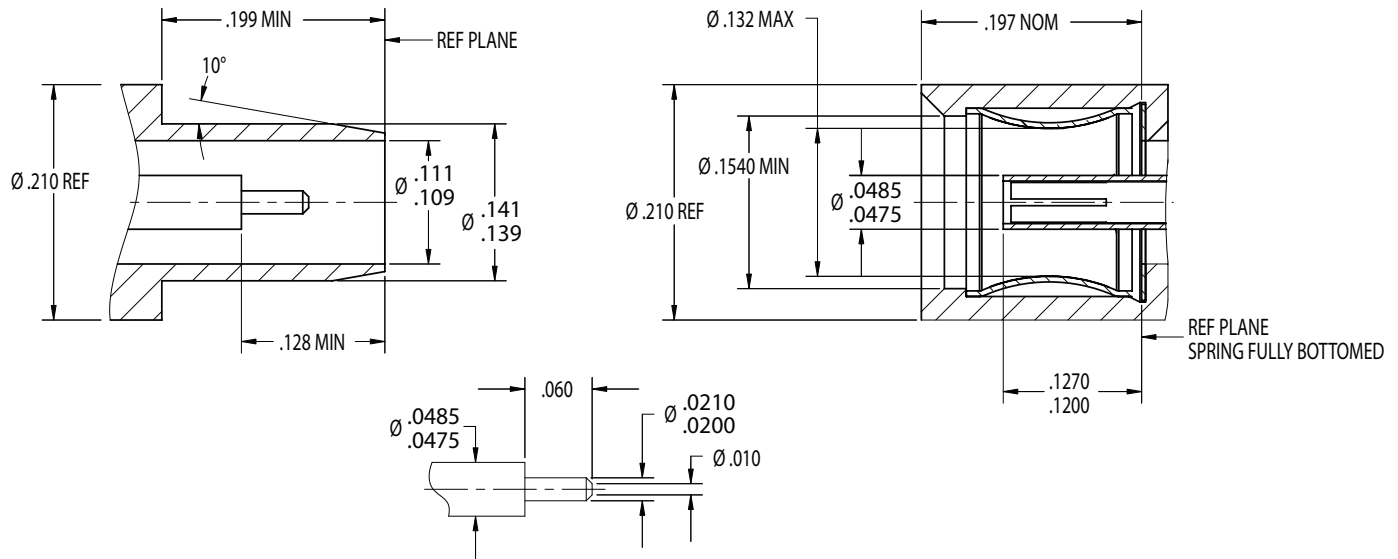




The Power of Creativity™

BMMA INTERFACE - DRAFT



ELECTRICAL

Nominal Impedance:	50 ohms
Frequency Range:	DC to 7 GHz
Voltage Rating:	2,700 volts rms
Dielectric Withstanding Voltage:	4,000 volts rms
Insulation Resistance:	10,000 megohms
VSWR:	1.30 max DC-7 GHz
Intermodulation:	-155 dBc

MECHANICAL

Mating Characteristics	per IEC 169-4 or DIN 47223 as applicable
Connector Durability:	500 cycles min.
Cable Attachment:	Clamp

MATERIALS / FINISHES:

Body:	Brass, Silver or Nickel Plated
Contacts (Inner):	Female: Beryllium Copper, Silver or Gold Plated. Male: Brass, Silver or Gold Plated
Contacts (Outer):	Brass, Silver or Nickel Plated
Contacts (Slotted):	Beryllium, Silver or Nickel Plated
Insulators:	Teflon
Gaskets & Seals:	Silicone Rubber

ENVIRONMENTAL

Temperature Range:	-85°F to +329°F (-65°C to +165°C)
Vibration:	MIL-STD-202 Method 204 (Test Cond. B)
Shock:	MIL-STD-202 Method 213 (Test Cond. I)
Moisture Resistance:	MIL-STD-202 Method 106
Corrosion (salt spray):	MIL-STD-202 Method 101 Test Cond. B)

TRU Corporation