



600-1-33SD16
(M55302/6-04)



LPST600-1-33P

33 CONTACTS



600-1-41SD16
(M55302/6-05)



LPST600-1-41P

41 CONTACTS

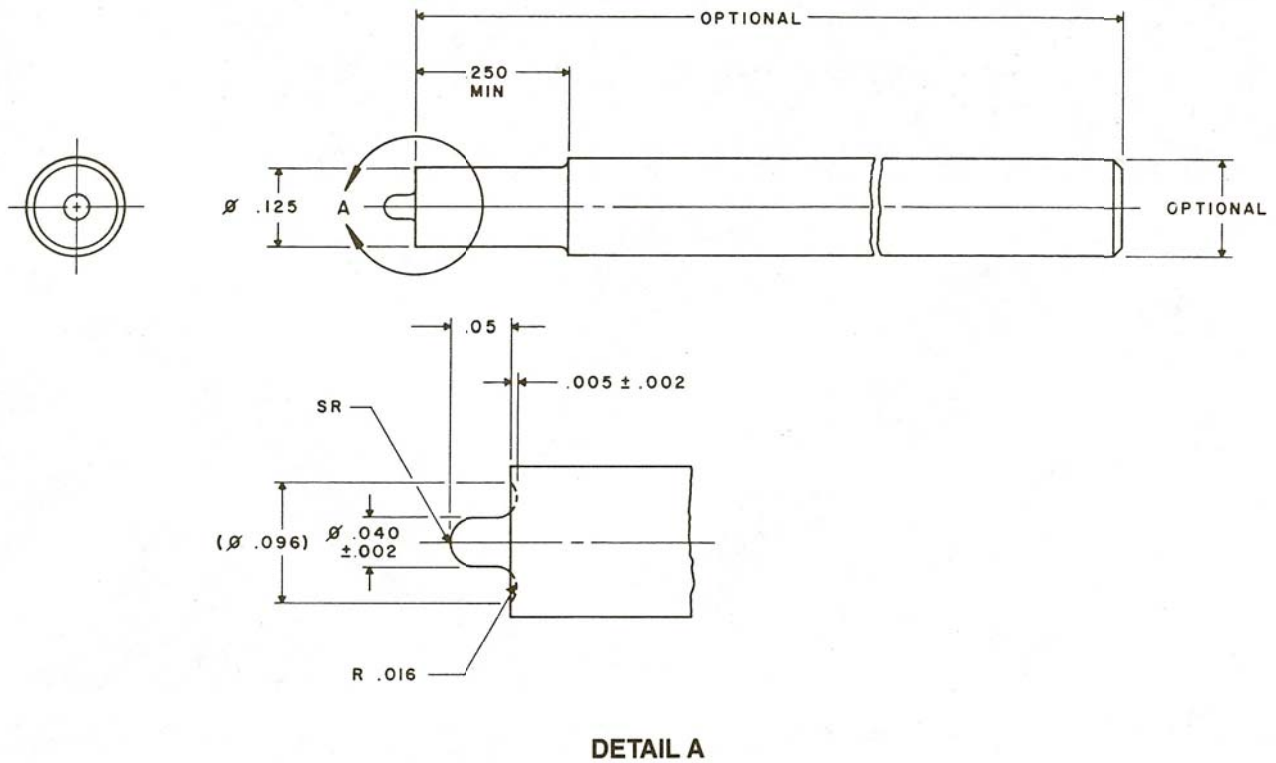
SERIES **LPST600-1**
**MICRO-MINIATURE
 STRAIGHT-THRU MOUNTING
 PRINTED CIRCUIT
 PIN
 CONNECTORS**
**FLOW SOLDER
 TERMINATIONS**

LOW PROFILE

.100" (2.54MM) CONTACT SPACING
2 ROWS OFFSET .050 (1.27MM)
.100" (2.54MM) ROW SPACING

9, 17, 25, 33, 41 & 77 CONTACTS

RECOMMENDED ROLLING TOOL FOR HOLLOW EYELETS SERIES 600-1, 610-1, 615-1, ST600-1 & LPST600-1



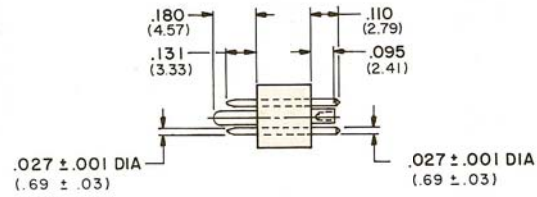
DETAIL A

SERIES LPST600-1 PRINTED CIRCUIT CONNECTORS

9, 17, 25, 33, 41 & 77 CONTACTS

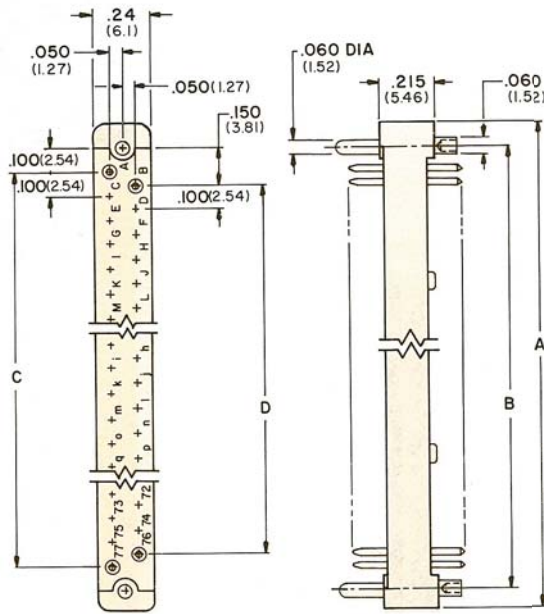
.100" (2.54MM) CONTACT SPACING
2 ROWS OFFSET .050 (1.27MM)
.100" (2.54MM) ROW SPACING
MEETS MIL-C-55302/5 EXCEPT
LOW PROFILE

REFER TO PAGE 6
 FOR MATING RECEPTACLE
 600-1-()SD11 OR
 600-1-()SD16



33 CONTACTS

LP ST600-1-33P



LP ST600-1-()P

ENTER NO. OF CONTACTS
 (9, 17, 25, 33, 41 OR 77)



41 CONTACTS

LP ST600-1-41P

NO. OF CONTACTS	DIMENSIONS			
	A	B	C	D
9	.75 (19.1)	.600 (15.24)	.400 (10.16)	.300 (7.62)
17	1.15 (29.2)	1.000 (25.40)	.800 (20.32)	.700 (17.78)
25	1.55 (39.4)	1.400 (35.56)	1.200 (30.48)	1.100 (27.94)
33	1.95 (49.5)	1.800 (45.72)	1.600 (40.64)	1.500 (38.10)
41	2.35 (59.7)	2.200 (55.88)	2.000 (50.80)	1.900 (48.26)
77	4.15 (105.4)	4.000 (101.60)	3.800 (96.52)	3.700 (93.98)

DIMENSIONS IN PARENTHESES ARE IN MILLIMETERS