

## UMR-MF Series

## Male Body / Female Contact: .100" Centers — .050" offset

**Description:** Straight through socket connector without mounting ears.  
 .100" (2.54) centers  
 .050" (1.27) offset

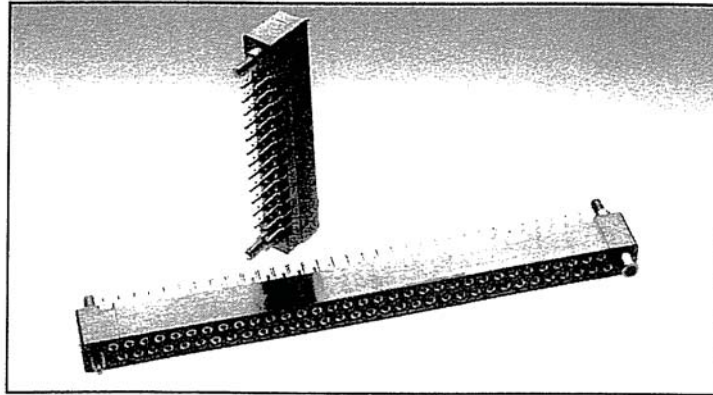
**Contacts:** 10-70

**Hardware:** See page 21

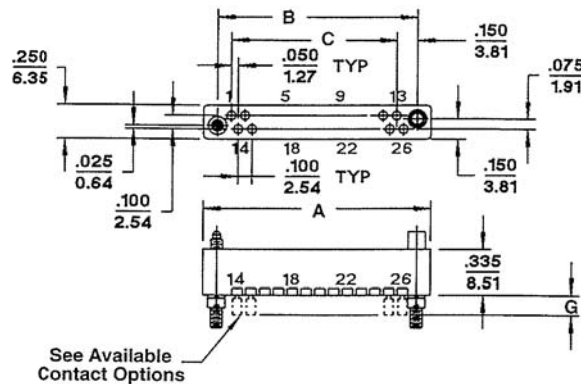
**Contact Termination:** See page 21

**Polarization Configuration:** See page 22

**Suggested Mounting:** See below



### OUTLINE

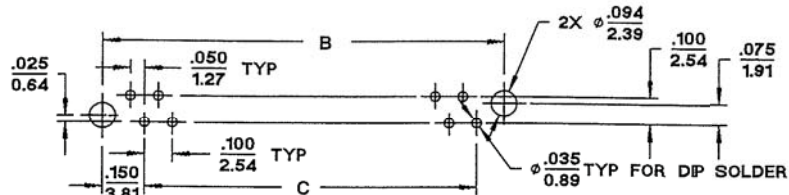


See Available Contact Options

UMR026MF2SL shown

### MOUNTING LAYOUT

MIL-C-55302 / 64



Recommended Hole Pattern Component Side For Fixed Hardware

### DIMENSIONS

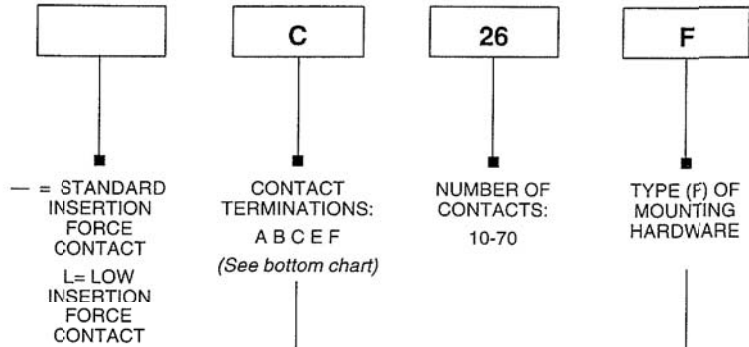
Dimensions are for reference only. Metric equivalents in (mm) are given for general information.

# Contacts	A	B	C	# Contacts	A	B	C
10	.850 (21.59)	.650 (16.51)	.400 (10.16)	44	2.550 (64.77)	2.350 (59.69)	2.100 (53.34)
14	1.050 (26.67)	.850 (21.59)	.600 (15.24)	50	2.850 (72.39)	2.650 (67.31)	2.400 (60.96)
20	1.350 (34.29)	1.150 (29.21)	.900 (22.86)	54	3.050 (77.47)	2.850 (72.39)	2.600 (66.04)
24	1.550 (39.37)	1.350 (34.29)	1.100 (27.94)	56	3.150 (80.01)	2.950 (74.93)	2.700 (68.58)
26	1.650 (41.91)	1.450 (36.83)	1.200 (30.48)	60	3.350 (85.09)	3.150 (80.01)	2.900 (73.66)
30	1.850 (46.99)	1.650 (41.91)	1.400 (35.56)	66	3.650 (92.71)	3.450 (87.63)	3.200 (81.28)
36	2.150 (54.61)	1.950 (49.53)	1.700 (43.18)	70	3.850 (97.79)	3.650 (92.71)	3.400 (86.36)
40	2.350 (59.69)	2.150 (54.61)	1.900 (48.26)				



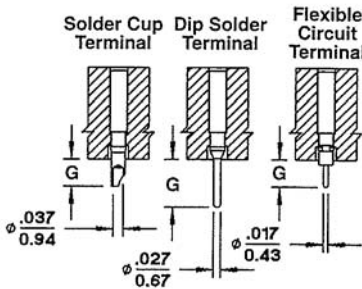
### ORDERING INFORMATION

MIL-C-55302 / 64



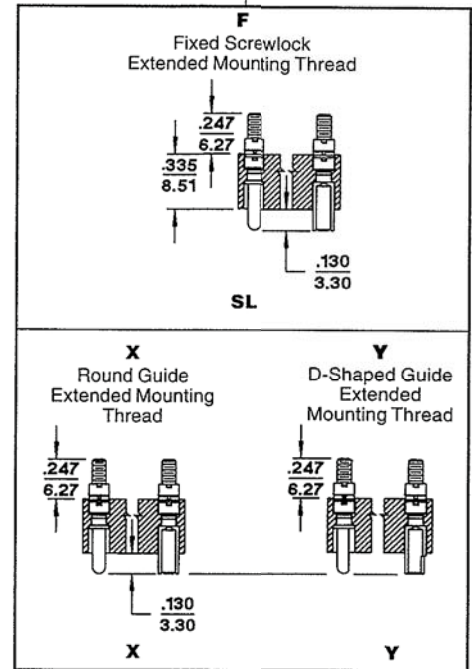
— = STANDARD INSERTION FORCE CONTACT  
 L = LOW INSERTION FORCE CONTACT

#### AVAILABLE CONTACTS



UMR / UER - FEMALE CONTACTS

Contact Style	Terminal Type	Contact Term		Extension G ±.010
		CCC	MIL-C	
Female	Solder Cup	0	A	.100 (2.54)
	Dip Solder	2	B	.140 (3.56)
	Dip Solder	3	C	.172 (4.37)
	Flexible Circuit	5	E	.058 (1.47)
	Flexible Circuit	6	F	.100 (2.54)



Designation UMR

RYTON  
 POLYPHENYLENE  
 SULFIDE  
 MIL-M-24519  
 TYPE GST-40F  
 COLOR BLACK  
 STANDARD

026

NUMBER OF CONTACTS:  
 10-70

MF

BODY / CONTACT STYLE DESIGNATION:  
 CONTACT MF - MALE BODY - FEMALE SOCKET CONTACT CLOSED ENTRY

3

CONTACT TERMINATION:  
 0, 2, 3  
 5, 6

SL

TYPE OF MOUNTING HARDWARE.  
 OTHER TYPES SHOWN ON PG. 24

