

MIL-C-55302 / 63

UMR-FM Series

Female Body / Male Contact: .100" Centers — .050" offset

Description: Straight through male connector without mounting ears.
 .100" (2.54) centers
 .050" (1.27) offset

Contacts: 10-70

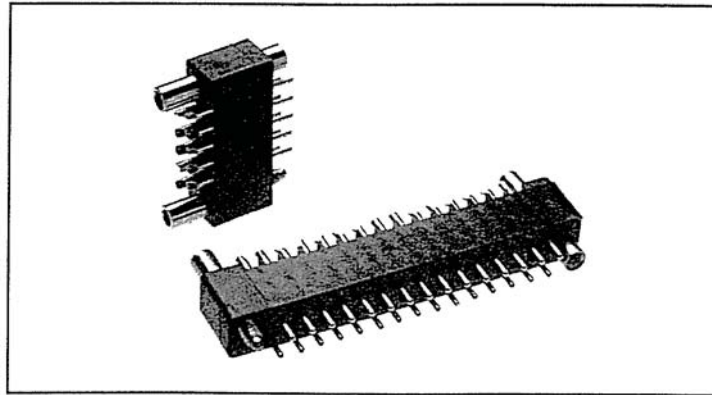
Hardware: See page 19

Contacts Termination: See page 19

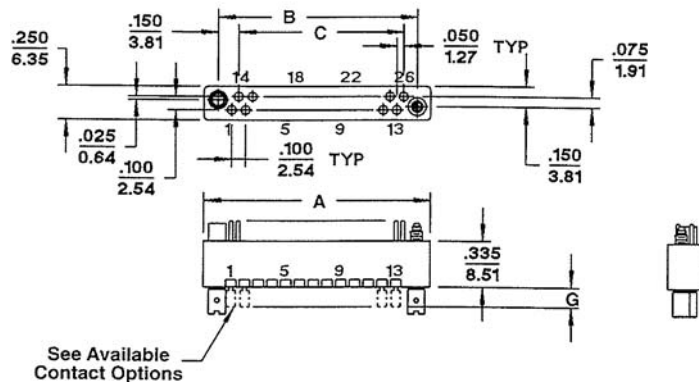
Polarization: See page 22

Configuration: See page 22

Suggested Mounting: See below



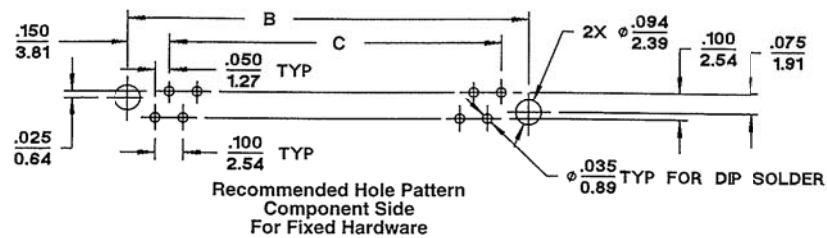
OUTLINE



UMR026FM2KS shown

MOUNTING LAYOUT

MIL-C-55302 / 63



DIMENSIONS

Dimensions are for reference only. Metric equivalents in (mm) are given for general information.

# Contacts	A	B	C	# Contacts	A	B	C
10	.850 (21.59)	.650 (16.51)	.400 (10.16)	44	2.550 (64.77)	2.350 (59.69)	2.100 (53.34)
14	1.050 (26.67)	.850 (21.59)	.600 (15.24)	50	2.850 (72.39)	2.650 (67.31)	2.400 (60.96)
20	1.350 (34.29)	1.150 (29.21)	.900 (22.86)	54	3.050 (77.47)	2.850 (72.39)	2.600 (66.04)
24	1.550 (39.37)	1.350 (34.29)	1.100 (27.94)	56	3.150 (80.01)	2.950 (74.93)	2.700 (68.58)
26	1.650 (41.91)	1.450 (36.83)	1.200 (30.48)	60	3.350 (85.09)	3.150 (80.01)	2.900 (73.66)
30	1.850 (46.99)	1.650 (41.91)	1.400 (35.56)	66	3.650 (92.71)	3.450 (87.63)	3.200 (81.28)
36	2.150 (54.61)	1.950 (49.53)	1.700 (43.18)	70	3.850 (97.79)	3.650 (92.71)	3.400 (86.36)
40	2.350 (59.69)	2.150 (54.61)	1.900 (48.26)				

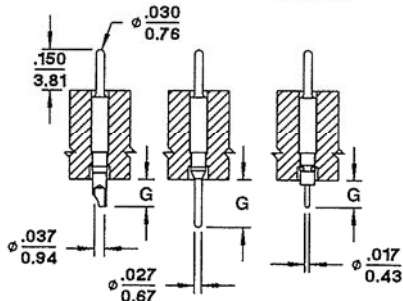


ORDERING INFORMATION

MIL-C-55302 / 63

AVAILABLE CONTACTS

Solder Cup Terminal Dip Solder Terminal Flexible Circuit Terminal



UMR - MALE CONTACTS

Contact Style	Terminal Type	Contact Term		Extension G ±.010
		CCC	MIL-C	
Male	Solder Cup	0	A	.100 (2.54)
	Dip Solder	2	B	.140 (3.56)
	Dip Solder	3	C	.172 (4.37)
	Flexible Circuit	5	D	.058 (1.47)
	Flexible Circuit	6	E	.100 (2.54)

C

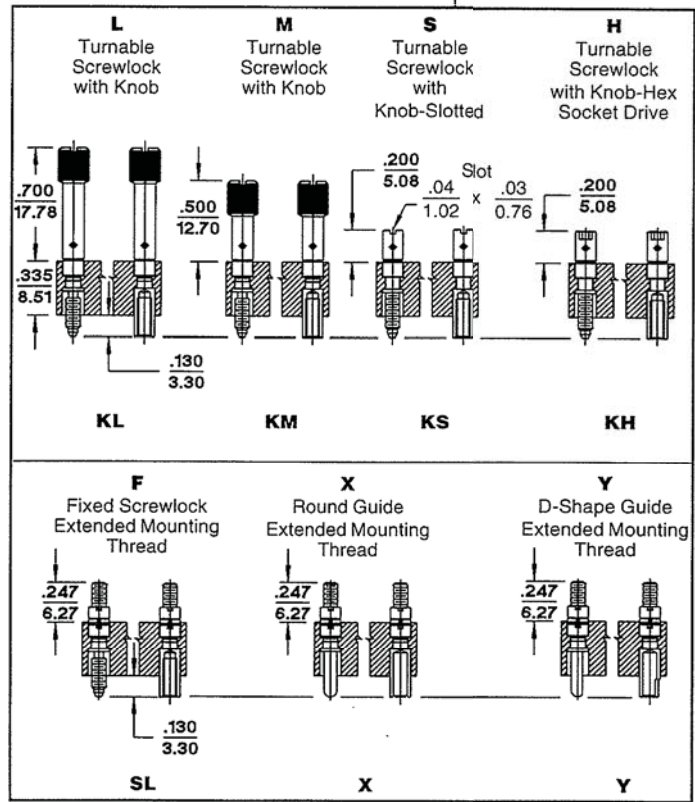
CONTACT TERMINATIONS:
A B C D E
(See bottom chart)

26

NUMBER OF CONTACTS:
10-70

H

TYPE (H) OF MOUNTING HARDWARE



Designation UMR

RYTON
POLYPHENYLENE
SULFIDE
MIL-M-24519
TYPE GST-40F
COLOR BLACK
STANDARD

026

NUMBER OF CONTACTS:
10-70

FM

BODY / CONTACT STYLE DESIGNATION:
FM-FEMALE
BODY-MALE PIN CONTACTS

3

CONTACT TERMINATION:
0, 2, 3
5, 6

KH

TYPE OF MOUNTING HARDWARE.
OTHER TYPES SHOWN ON PG. 24

