

URR-FM Series

Female Body / Male Contact: .100" Centers — .050" offset

Description: Right angle male connector with mounting ears and flush mounted screwlock hardware.
 .100" (2.54) centers
 .050" (1.27) offset

Contacts: 10-70

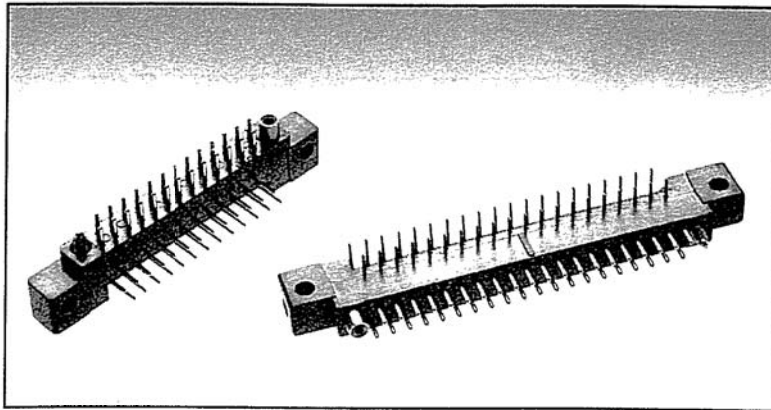
Hardware: See page 15

Contact Termination: See page 15

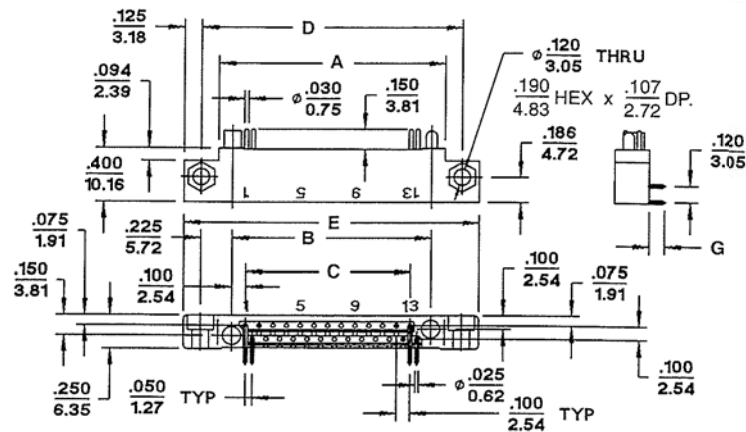
Polarization Configuration: See page 22

Suggested Mounting: See below

UWR-FM: Same as above but without mounting ears



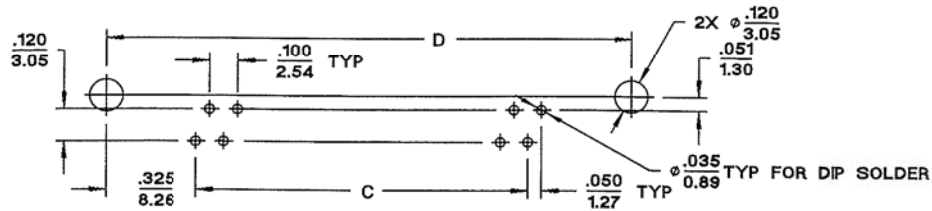
OUTLINE



URR026FM2SF shown

MOUNTING LAYOUT

MIL-C-55302 / 61



Recommended Hole Pattern Component Side

DIMENSIONS

Dimensions are for reference only. Metric equivalents in (mm) are given for general information.

# Contacts	A	B	C	D	E	# Contacts	A	B	C	D	E	# Contacts	A	B	C	D	E
10	.850 (21.59)	.650 (16.51)	.400 (10.16)	1.100 (27.94)	1.350 (34.29)	30	1.850 (46.99)	1.650 (41.91)	1.400 (35.56)	2.100 (53.34)	2.350 (59.69)	54	3.050 (77.47)	2.850 (72.39)	2.600 (66.04)	3.300 (83.32)	3.550 (90.17)
14	1.050 (26.67)	.850 (21.59)	.600 (15.24)	1.300 (33.02)	1.550 (39.37)	36	2.150 (54.61)	1.950 (49.53)	1.700 (43.18)	2.400 (60.96)	2.650 (67.31)	56	3.150 (80.01)	2.950 (74.93)	2.700 (68.58)	3.400 (86.36)	3.650 (92.71)
20	1.350 (34.29)	1.150 (29.21)	.900 (22.86)	1.600 (40.64)	1.850 (46.99)	40	2.350 (59.69)	2.150 (54.61)	1.900 (48.26)	2.600 (66.04)	2.850 (72.39)	60	3.350 (85.09)	3.150 (80.01)	2.900 (73.66)	3.600 (91.44)	3.850 (97.79)
24	1.550 (39.37)	1.350 (34.29)	1.100 (27.94)	1.800 (45.72)	2.050 (52.07)	44	2.550 (64.77)	2.350 (59.69)	2.100 (53.34)	2.800 (71.12)	3.050 (77.47)	66	3.650 (92.71)	3.450 (87.63)	3.200 (81.28)	3.900 (99.06)	4.150 (105.41)
26	1.650 (41.91)	1.450 (36.83)	1.200 (30.48)	1.900 (48.26)	2.150 (54.61)	50	2.850 (72.39)	2.650 (67.31)	2.400 (60.96)	3.100 (78.74)	3.350 (85.09)	70	3.850 (97.79)	3.650 (92.71)	3.400 (86.36)	4.100 (104.14)	4.350 (110.49)



ORDERING INFORMATION

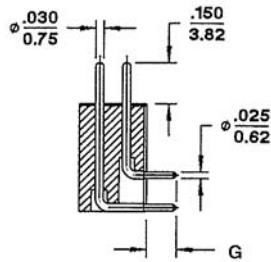
MIL-C-55302 / 61

B **26**

CONTACT TERMINATIONS:
A B C
(See bottom chart)

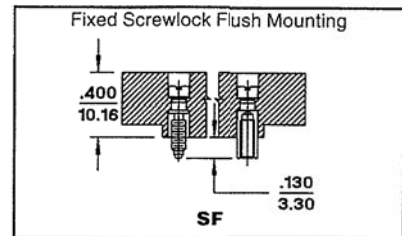
NUMBER OF CONTACTS:
10-70

AVAILABLE CONTACTS



DIP SOLDER TERMINAL -
URR - MALE CONTACTS -
(RIGHT ANGLE)

Contact Style	Terminal Type	Contact Term		Extension G ±.010
		CCC	MIL-C	
Male	Rt. Angle Dip Solder	1	A	.110 (2.79)
	Rt. Angle Dip Solder	2	B	.140 (3.56)
	Rt. Angle Dip Solder	3	C	.172 (4.37)



Designation URR

RYTON
POLYPHENYLENE
SULFIDE
MIL-M-24519
TYPE GST-40F
COLOR BLACK
STANDARD

026

NUMBER OF CONTACTS:
10-70

FM

BODY / CONTACT STYLE
DESIGNATION:
FM-FEMALE BODY, MALE PIN CONTACT

2

CONTACT TERMINATION:
1, 2, 3

SF

TYPE OF MOUNTING
HARDWARE.
OTHER TYPES SHOWN ON
PG. 24

