

URR-FM Series

Female Body / Male Contact: .100" Centers — .050" offset

Description: Right angle male connector with mounting ears. .100" (2.54) centers .050" (1.27) offset

Contacts: 10-70

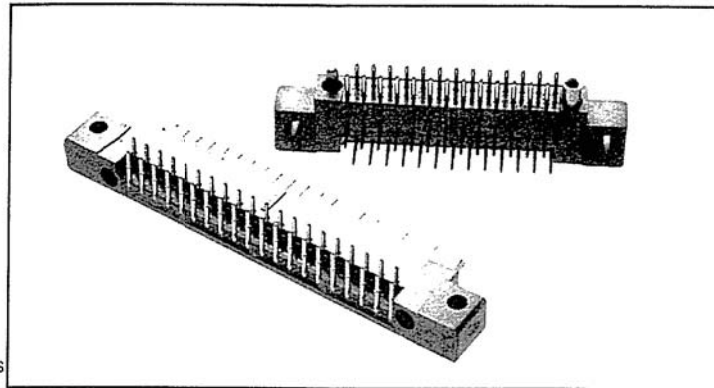
Hardware: See page 7

Contact Termination: See page 7

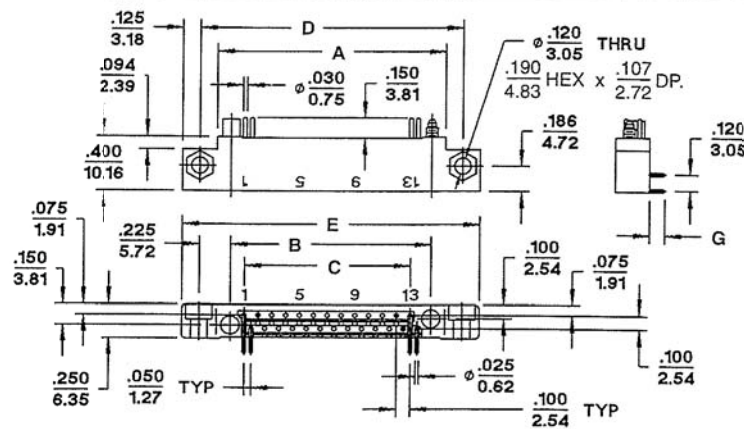
Polarization Configuration: See page 22

Suggested Mounting: See below

UWR-FM: Same as above but without mounting ears



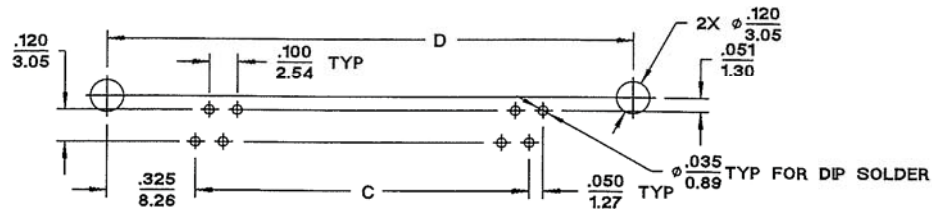
OUTLINE



URR026FM2XF shown

MOUNTING LAYOUT

MIL-C-55302 / 57



Recommended Hole Pattern Component Side

DIMENSIONS

Dimensions are for reference only. Metric equivalents in (mm) are given for general information.

# Contacts	A	B	C	D	E	# Contacts	A	B	C	D	E	# Contacts	A	B	C	D	E
10	.850 (21.59)	.650 (16.51)	.400 (10.16)	1.100 (27.94)	1.350 (34.29)	30	1.850 (46.99)	1.650 (41.91)	1.400 (35.56)	2.100 (53.34)	2.350 (59.69)	54	3.050 (77.47)	2.850 (72.39)	2.600 (66.04)	3.300 (83.32)	3.550 (90.17)
14	1.050 (26.67)	.850 (21.59)	.600 (15.24)	1.300 (33.02)	1.550 (39.37)	36	2.150 (54.61)	1.950 (49.53)	1.700 (43.18)	2.400 (60.96)	2.650 (67.31)	56	3.150 (80.01)	2.950 (74.93)	2.700 (68.58)	3.400 (86.36)	3.650 (92.71)
20	1.350 (34.29)	1.150 (29.21)	.900 (22.86)	1.600 (40.64)	1.850 (46.99)	40	2.350 (59.69)	2.150 (54.61)	1.900 (48.26)	2.600 (66.04)	2.850 (72.39)	60	3.350 (85.09)	3.150 (80.01)	2.900 (73.66)	3.600 (91.44)	3.850 (97.79)
24	1.550 (39.37)	1.350 (34.29)	1.100 (27.94)	1.800 (45.72)	2.050 (52.07)	44	2.550 (64.77)	2.350 (59.69)	2.100 (53.34)	2.800 (71.12)	3.050 (77.47)	66	3.650 (92.71)	3.450 (87.63)	3.200 (81.28)	3.900 (99.06)	4.150 (105.41)
26	1.650 (41.91)	1.450 (36.83)	1.200 (30.48)	1.900 (48.26)	2.150 (54.61)	50	2.850 (72.39)	2.650 (67.31)	2.400 (60.96)	3.100 (78.74)	3.350 (85.09)	70	3.850 (97.79)	3.650 (92.71)	3.400 (86.36)	4.100 (104.14)	4.350 (110.49)



ORDERING INFORMATION

MIL-C-55302 / 57

B

26

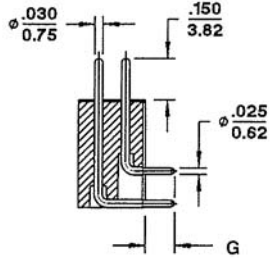
H

CONTACT TERMINATIONS:
A B C
(See bottom chart)

NUMBER OF CONTACTS:
10-70

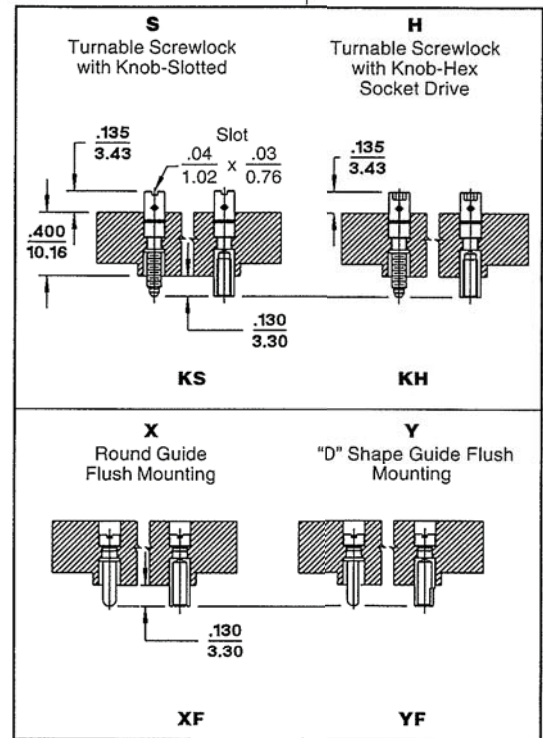
TYPE (H) OF MOUNTING HARDWARE

AVAILABLE CONTACTS



DIP SOLDER TERMINAL -
URR - MALE CONTACTS -
(RIGHT ANGLE)

Contact Style	Terminal Type	Contact Term		Extension G ± .010
		CCC	MIL-C	
Male	Rt. Angle Dip Solder	1	A	.110 (2.79)
	Rt. Angle Dip Solder	2	B	.140 (3.56)
	Rt. Angle Dip Solder	3	C	.172 (4.37)



Designation URR

026

FM

2

KH

RYTON
POLYPHENYLENE
SULFIDE
MIL-M-24519
TYPE GST-40F
COLOR BLACK
STANDARD

NUMBER OF CONTACTS:
10-70

BODY / CONTACT STYLE DESIGNATION:
FM=FEMALE BODY & MALE PIN CONTACT

CONTACT TERMINATION:
1, 2, 3

OTHER TYPES SHOWN ON
PG. 24

