

SERIES **615-1**
MICRO-MINIATURE
RIGHT ANGLE MOUNTING
**PRINTED CIRCUIT
PIN & SOCKET
CONNECTORS**
FLOW SOLDER
TERMINATIONS



615-1-17SD16
(M55302/2-03)

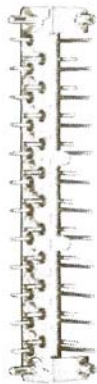


615-1-17P
(M55302/1-03)

17 CONTACTS



615-1-23SD16
(M55302/2-04)



615-1-23P
(M55302/1-04)

23 CONTACTS

MEETS

- MIL-C-55302/1 (PLUGS)
- MIL-C-55302/2 (RECEPTACLES)
- MIL-C-55302/19 (PLUG)
- MIL-C-55302/20 (RECEPTACLE)

- .150** (3.81MM) CONTACT SPACING
- 2 ROWS OFFSET .050 (1.27MM)
- .100"** (2.54MM) ROW SPACING

7, 12, 17, 23, 28 & 41 CONTACTS

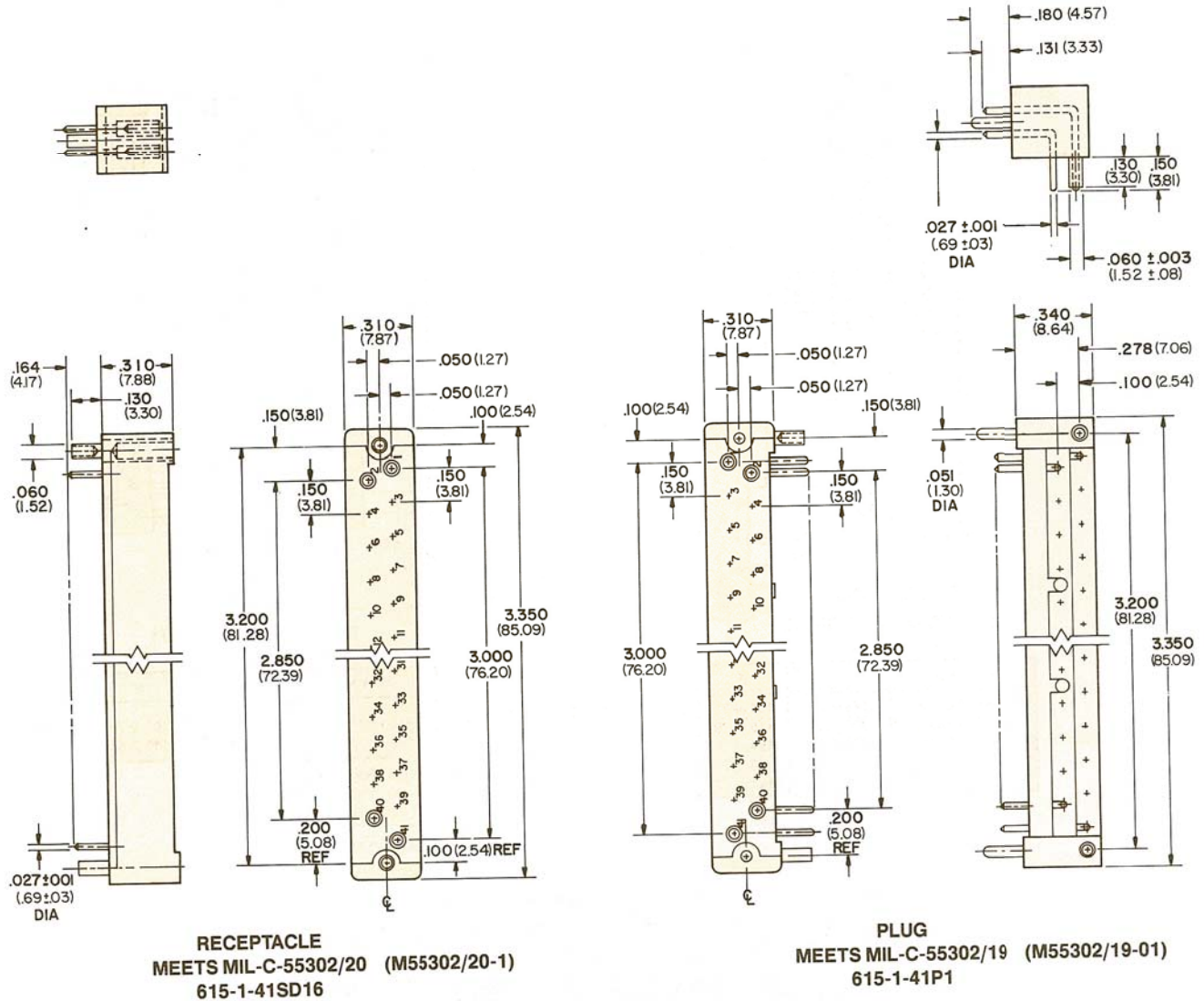
SERIES 615-1 PRINTED CIRCUIT CONNECTORS

.150" (3.81MM) CONTACT SPACING
2 ROWS OFFSET .050 (1.27MM)
.100" (2.54MM) ROW SPACING

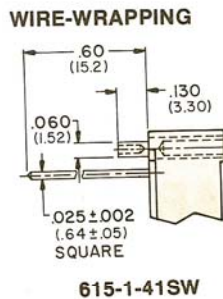
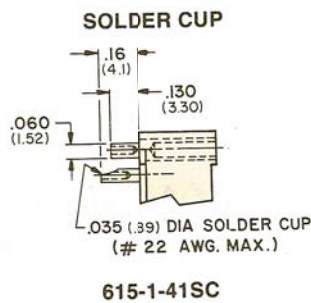
7, 12, 17, 23, 28 & 41 CONTACTS

MEETS MIL-C-55302 /1, /2, /19, & /20

ARRANGEMENT FOR SIZE 41



ALTERNATE TERMINALS ON RECEPTACLE



.150" (3.81MM) CONTACT SPACING
2 ROWS OFFSET .050 (1.27MM)
.100" (2.54MM) ROW SPACING

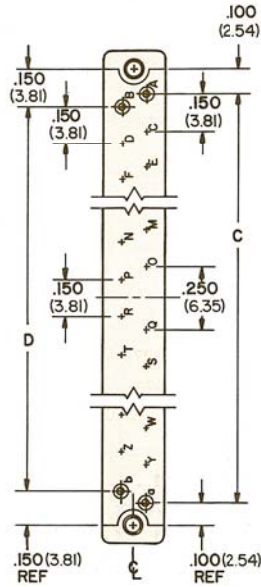
MEETS MIL-C-55302/1, /2, /19 & /20

SERIES 615-1
PRINTED CIRCUIT CONNECTORS

7, 12, 17, 23, 28 & 41 CONTACTS

ARRANGEMENT FOR SIZES 12 & 28

(DIMENSIONS NOT SHOWN ARE THE SAME AS ON PAGE 14)

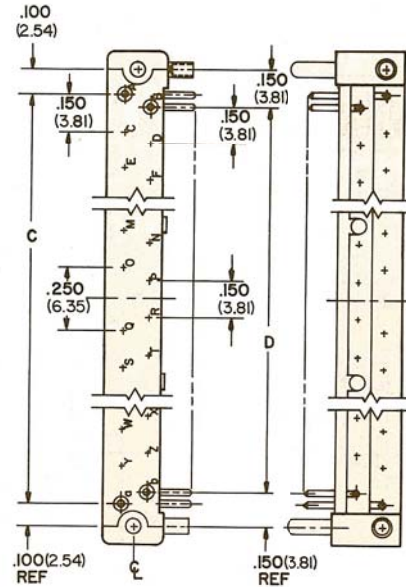


RECEPTACLE
MEETS MIL-C-55302/2

PART NO.	E	F
615-1- () SD16	.128 (3.25)	.164 (4.17)
615-1- () SD11	.090 (2.29)	.110 (2.79)
615-1- () SD16-1	.090 (2.29)	.164 (4.17)
615-1- () SD11-1	.128 (3.25)	.110 (2.79)
615-1- () SD16-2	.145 (3.68)	.164 (4.17)

M55302/2-02, -05

↑ ENTER NO. OF CONTACTS
(12 or 28)



PLUG
MEETS MIL-C-55302/1

PART NO.	G	H
615-1- () P	.090 (2.29)	.100 (2.79)
615-1- () P1	.128 (3.25)	.140 (3.56)

M55302/1-02, -05

↑ ENTER NO. OF CONTACTS
(12 or 28)

NO. OF CONTACTS	DIMENSIONS			
	A	B	C	D
12	1.200 (30.48)	1.050 (26.67)	.950 (21.59)	.750 (19.05)
28	2.400 (60.96)	2.250 (57.15)	2.050 (52.07)	1.950 (49.53)

REFER TO PAGE 14 FOR ALTERNATE TERMINALS ON RECEPTACLE

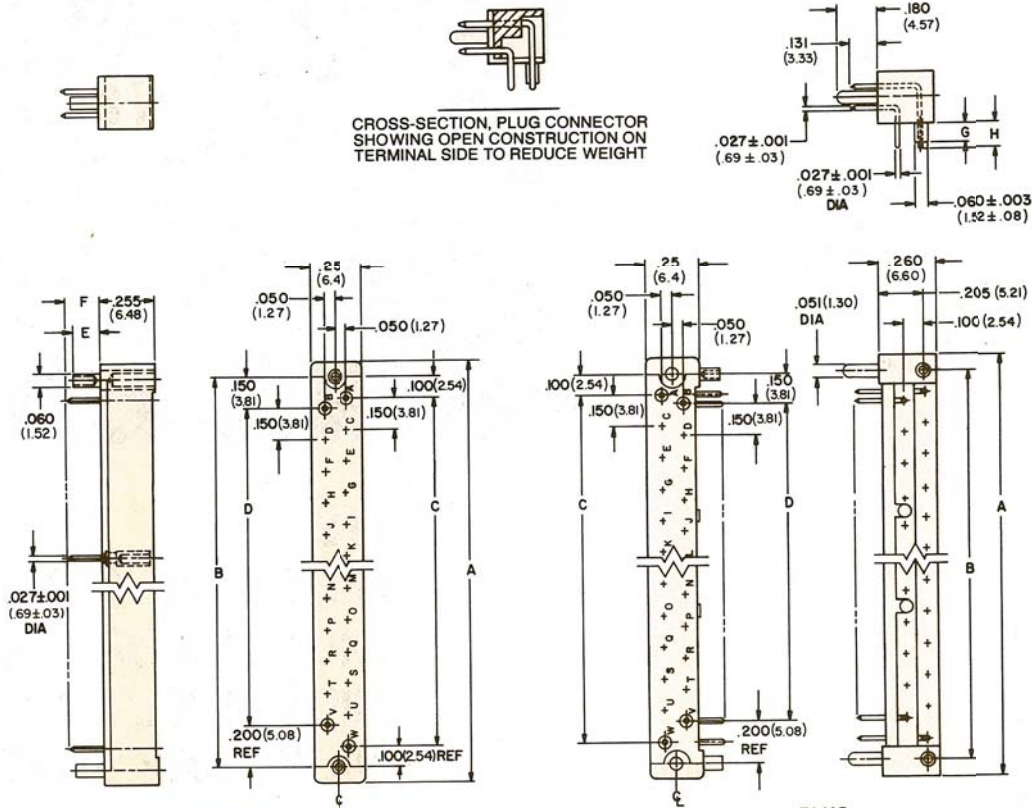
SERIES 615-1 PRINTED CIRCUIT CONNECTORS

7, 12, 17, 23, 28 & 41 CONTACTS

.150" (3.81MM) CONTACT SPACING
2 ROWS OFFSET .050 (1.27MM)
.100" (2.54MM) ROW SPACING

MEETS MIL-C-55302/1, /2, /19 & /20

ARRANGEMENT FOR SIZES 7, 17 & 23



RECEPTACLE
MEETS MIL-C-55302/2

PART NO.	E	F
615-1- () SD16	.128 (3.25)	.164 (4.17)
615-1- () SD11	.090 (2.29)	.110 (2.79)
615-1- () SD16-1	.090 (2.29)	.164 (4.17)
615-1- () SD11-1	.128 (3.25)	.110 (2.79)
615-1- () SD16-2	.145 (3.68)	.164 (4.17)

M55302/2-01, -03, -04

PLUG
MEETS MIL-C-55302/1

PART NO.	G	H
615-1- () P	.090 (2.29)	.100 (2.79)
615-1- () P1	.128 (3.25)	.140 (3.56)

M55302/1-01, -03, -04

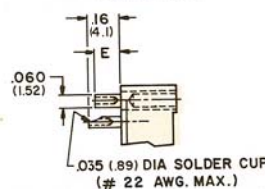
↑ ENTER NO. OF CONTACTS
(7, 17 or 23)

↑ ENTER NO. OF CONTACTS
(7, 17 or 23)

NO. OF CONTACTS	DIMENSIONS			
	A	B	C	D
7	.800	.650	.450	.300
	(20.32)	(16.51)	(11.43)	(7.62)
17	1.550	1.400	1.200	1.050
	(39.37)	(35.56)	(30.48)	(26.67)
23	2.000	1.850	1.650	1.500
	(50.80)	(46.99)	(41.91)	(38.10)

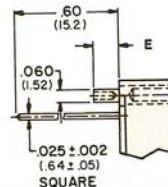
ALTERNATE TERMINALS ON RECEPTACLE

SOLDER CUP



PART NO.	E
615-1- () SC	.090 (2.29)
615-1- () SC-1	.128 (3.25)

WIRE-WRAPPING



PART NO.	E
615-1- () SW	.128 (3.25)
615-1- () SW-1	.090 (2.29)