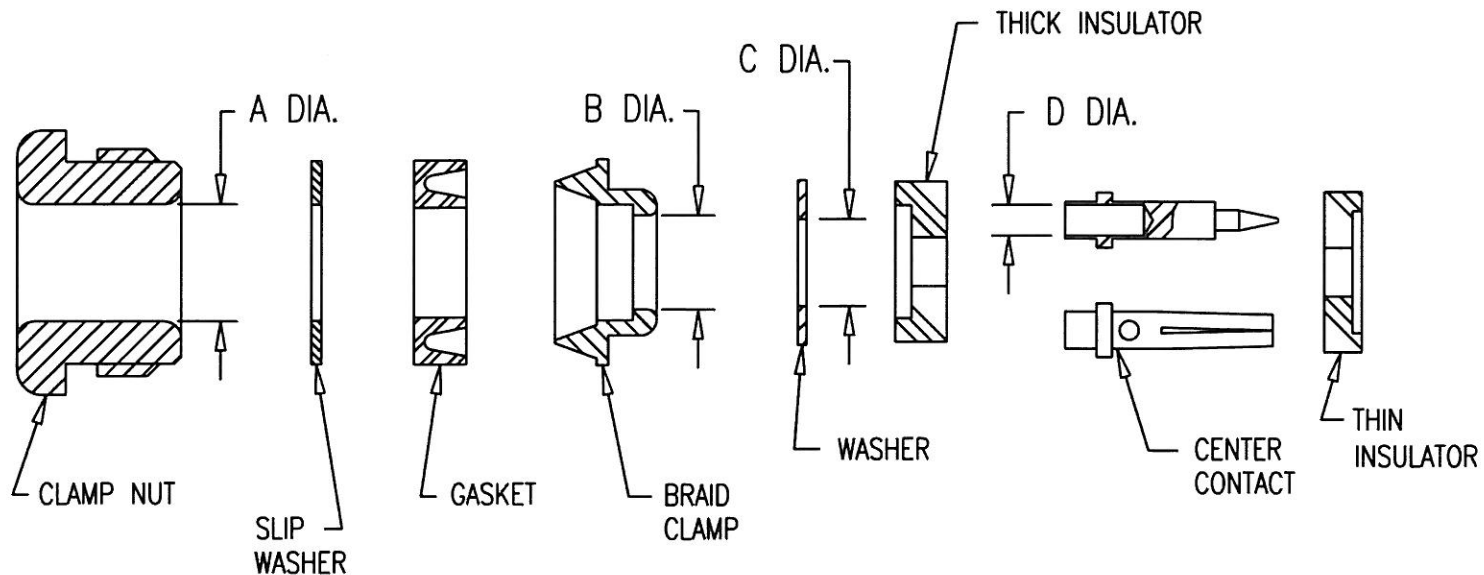


3-66

(SHT 1 OF 2)

DASH NO.	M CODE	DESCRIPTION
-1	M88	PERFORATED STRIP ON ROLL
-2		INDIVIDUAL, CUT SHEETS
-3		PERFORATED STRIP IN GROUPS OF FIVE

KINGS ELECTRONICS CO. INC. TUCKAHOE, NEW YORK



NOTES:
 1. INSTRUCTION SHEET TO BE WHITE SULPHUR FREE PAPER.
 2. PRINT SHEETS 1 AND 2 ON BOTH SIDES OF SAME SHEET.

REDUCE TO 2 1/2 IN. X 3 IN..

MILITARY PART NUMBER	KINGS NUMBER	CABLE USAGE	PIECE PART DIMS.			
			A	B	C	D
M39012/1-0005	KN-59-176	RG-11, 144, 165, 213, 214, 216, 225/U	.44	.37	.30	.10
M39012/2-0003	KN-39-68					
M39012/2-0006	KN-19-110					
M39012/3-0012 *	KN-19-114					
M39012/1-0101	KN-59-294	RG-6, 212, 222/U	.35	.27	.20	.06
M39012/2-0101	KN-39-101					
M39012/2-0104	KN-19-178					
M39012/3-0101	KN-19-180					

* FOR THIS CONNECTOR ONLY - THE MATING END INSULATOR IS THE THICKER OF THE TWO.

(OVER)

REVISIONS
CHANGES

ISSUE

REVISIONS
CHANGES

DRAWN KH
APPR. MJB

DATE 10/25/95
DATE 10/26/95

3	CN 36658 E REDRAWN KH 10/25/95
4	CN 37369 E JW 05/20/97

3-66 (SHT 1 OF 2)

KINGS
ELECTRONICS CO., INC.
TUCKAHOE, NEW YORK 10707

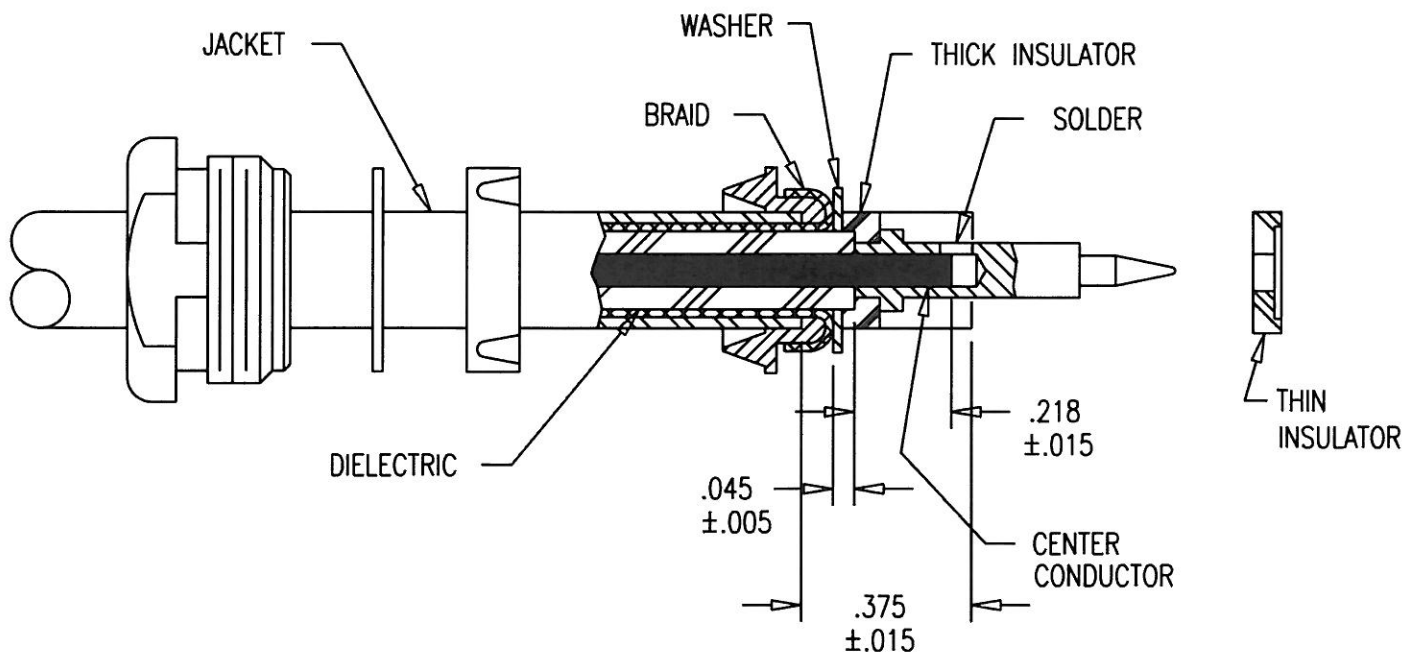
ISSUE		REVISIONS		DRAWN		DATE	
ISSUE	CHANGES	ISSUE	CHANGES	APPR.	MJB	DATE	
3	CN 36658 E REDRAWN KH 10/25/95			KH		10/25/95	
4	CN 37369 E, JW 05/20/97						

(OVER)



KINGS ELECTRONICS CO. INC. TUCKAHOE, NEW YORK

3-66



REDUCE TO 2 1/2IN. X 3IN..

1. WITH CLAMP NUT, SLIP WASHER & GASKET ON CABLE, REMOVE JACKET TO $.375 \pm .015$ DIM.
2. SLIDE BRAID CLAMP OVER BRAID AGAINST JACKET EDGE. COMB OUT BRAID WIRES, FOLD BACK OVER BRAID CLAMP & TRIM AS SHOWN.
3. REMOVE DIELECTRIC TO $.045 \pm .005$ DIM. & TRIM CENTER CONDUCTOR TO $.218 \pm .015$ DIM.
4. SLIDE WASHER OVER DIELECTRIC & AGAINST BRAID. PLACE THICK INSULATOR ON CONTACT & ASSEMBLE ON CABLE CENTER CONDUCTOR WITH DIELECTRIC BOTTOMED IN C'BORE AND SOLDER CONTACT IN POSITION. (DO NOT OVERHEAT)
5. ASSEMBLE THIN INSULATOR ON CONTACT WITH C'BORE TOWARD CONTACT TIP & THREAD ASSEMBLY SECURELY INTO CONNECTOR BODY.
RECOMMENDED TORQUE: 55-60 IN. LBS.

3-66

(SHT 2 OF 2)

KINGS
ELECTRONICS CO., INC.
TUCKAHOE, NEW YORK 10707