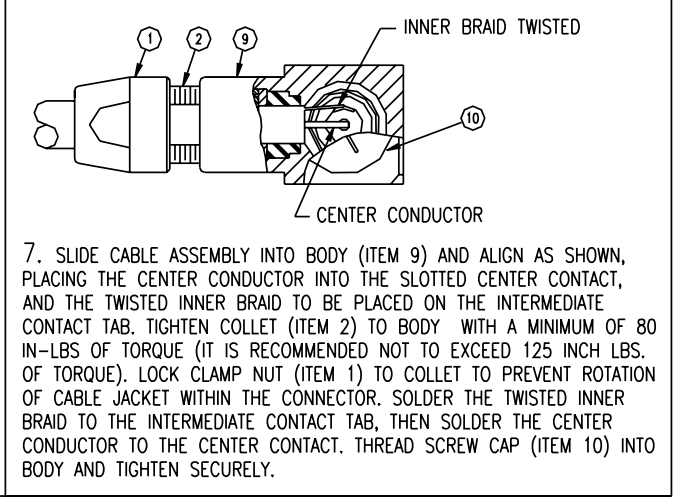
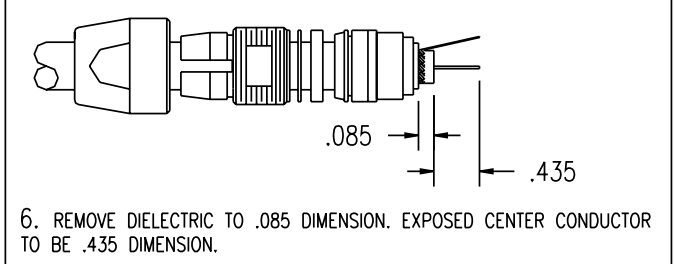
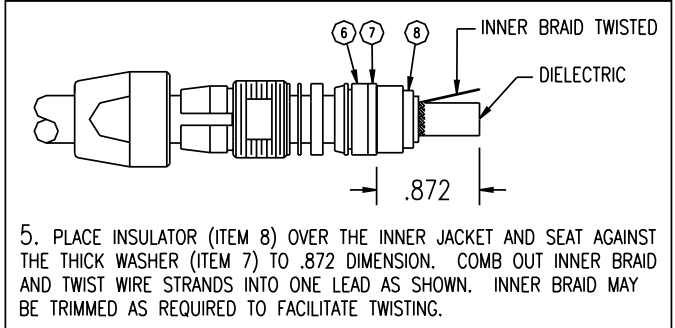


NOTE: CARE MUST BE TAKEN WHEN TRIMMING CABLE THAT THE BRAIDS, INSULATORS AND CONDUCTORS OF THE CABLE ARE NOT NICKED OR DAMAGED.



Crimp Dies are available for above operations. (See page 28 and 29 for part numbers.)

Tri-Loc Inspection Gauges are available. (See page 37 for part numbers.)

ALL DIMENSIONS ARE IN INCHES