

General

Materials: SST, Corrosion-resistant, Non-magnetic 303, per ASTM A484 & A582, Beryllium Copper per ASTM-B-196, QQ-C-530, PTFE Fluorocarbon per ASTM-D-1710

Finish: Center contacts and solder components shall be plated per MIL-G-45204 Type II, Class I over Nickel plate per QQ-N-290, Body & Body components shall be passivated per ASTM A380

Compatibility: Mechanically compatible with 2.9mm and 3.5mm connectors.

Electrical Frequency:

Nominal Impedance: DC-27 GHz

Temperature Rating: 50 Ohms

VSWR: -55° C to 100° C
1.2:1 to 27 GHz

Mechanical

Connector Durability:

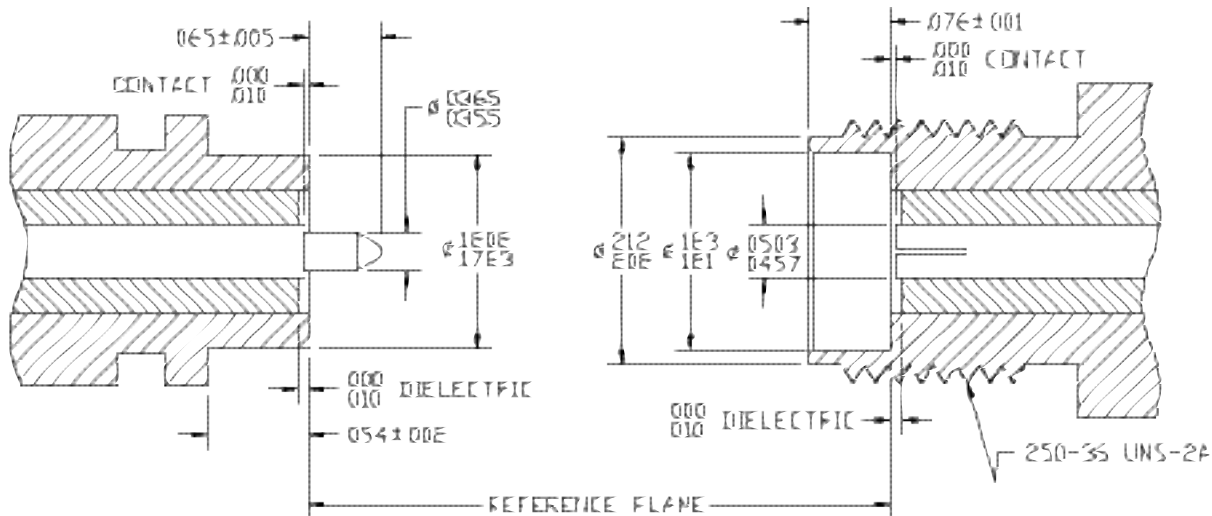
Contact Torque: 500 cycles minimum 4.0 inch-ounces minimum

Coupling nut mating torque: 8-10 inch lbs.

Environmental

Corrosion (salt spray): MIL-STD-202, method 101, test condition B 5% salt solution

Vibration High Frequency: MIL-STD-202, method 204, test condition D (20 G's)



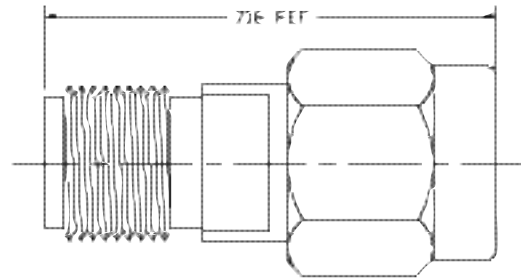
SMA

SMA In-Series Adapters

20-921-0000-00

20-921-0000-01 (Gold Plated)
SMA Plug to SMA Jack

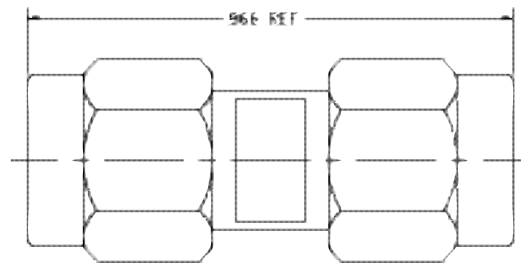
DC-27 GHz



20-920-0000-00

20-920-0000-01 (Gold Plated)
SMA Plug to SMA Plug

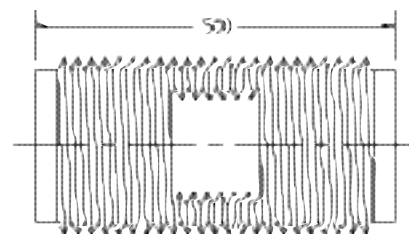
DC-27 GHz



21-921-0000-00

21-921-0000-01 (Gold Plated)
SMA Jack to SMA Jack

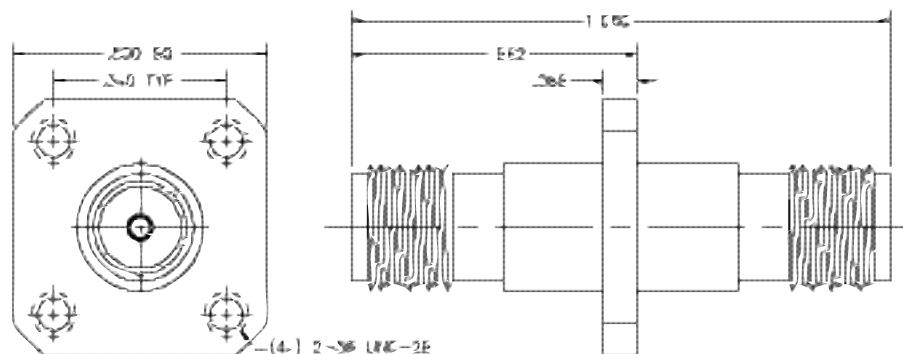
DC-27 GHz



21-921-0358-04

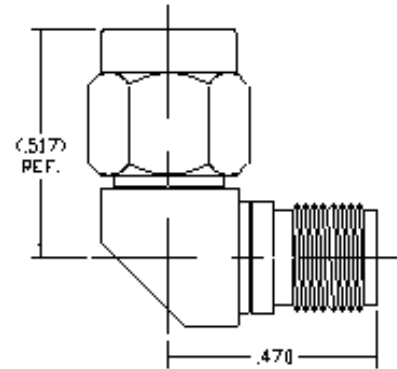
SMA Jack to SMA Jack 4 Hole Flange Mount

DC-18 GHz



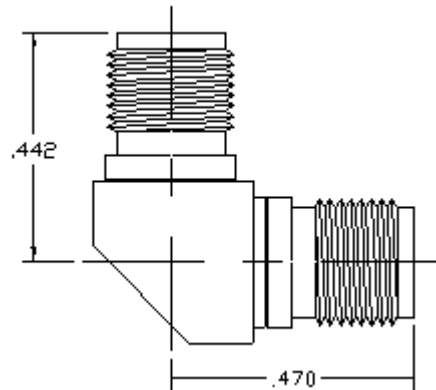
20-921-2100-00
20-921-2100-01 (Gold Plated)
 SMA Plug to SMA Jack R/A

DC-27 GHz



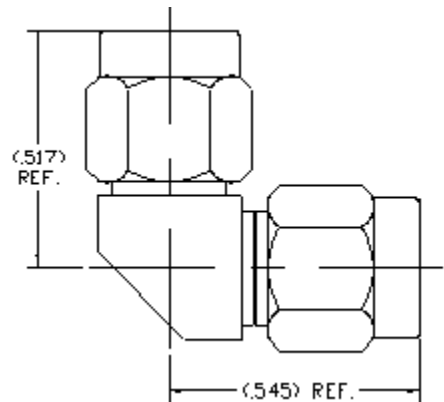
21-921-2100-00
21-921-2100-01 (Gold Plated)
 SMA Jack to SMA Jack R/A

DC-27 GHz



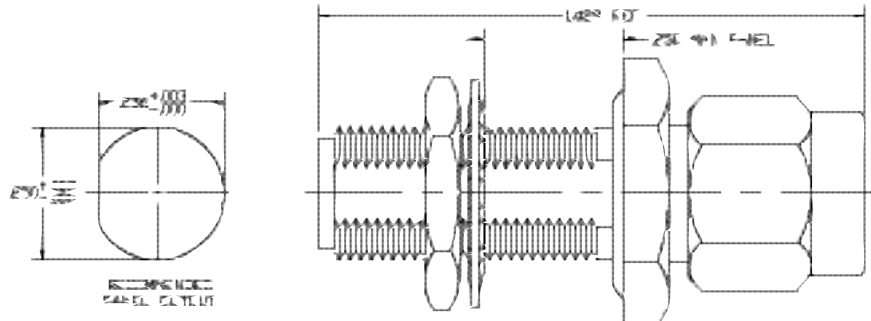
20-920-2100-00
20-920-2100-01 (Gold Plated)
 SMA Plug to SMA Plug R/A

DC-27 GHz



21-920-2000-00
 SMA Jack to Plug
 Bulkhead Mount

DC-18 GHz

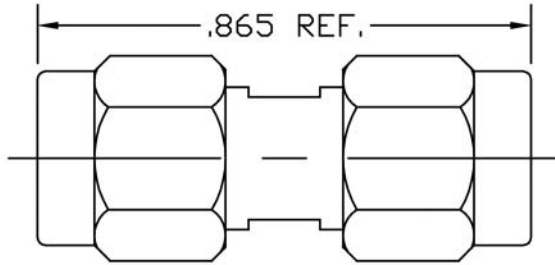


SMA

20-920-0000-02

SMA Plug to SMA Plug

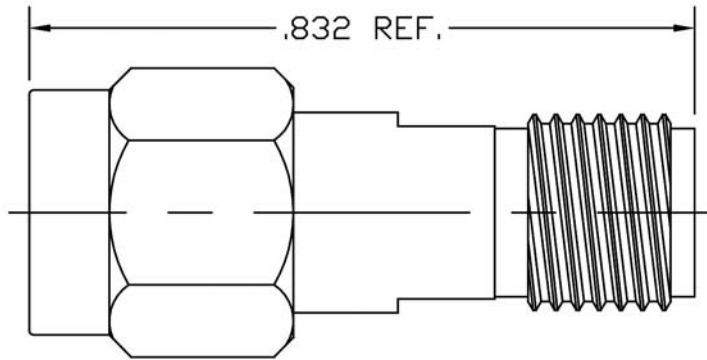
DC-27 GHz



20-921-0000-02

SMA Plug to SMA Jack

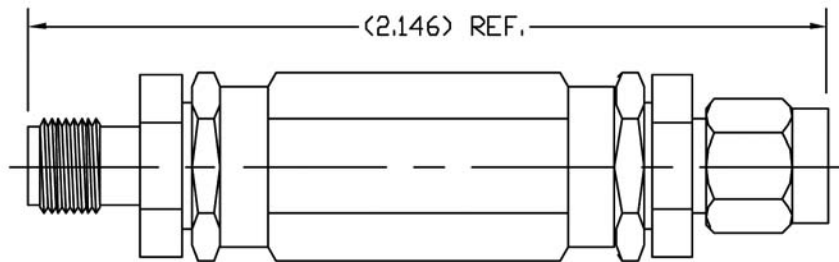
DC-27 GHz



20-921-9158-00

SMA Jack to SMA Plug
Phase Adjustable

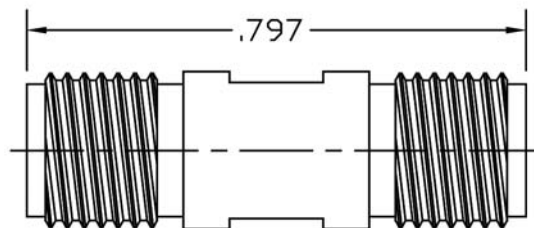
DC-18 GHz



21-921-0000-02

SMA Jack to SMA Jack

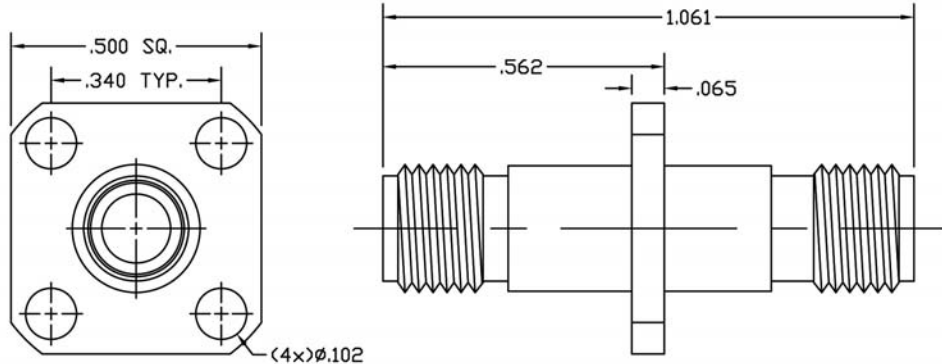
DC-27 GHz



21-921-0355-04

SMA Jack to SMA Jack 4
Hole Flange Mount

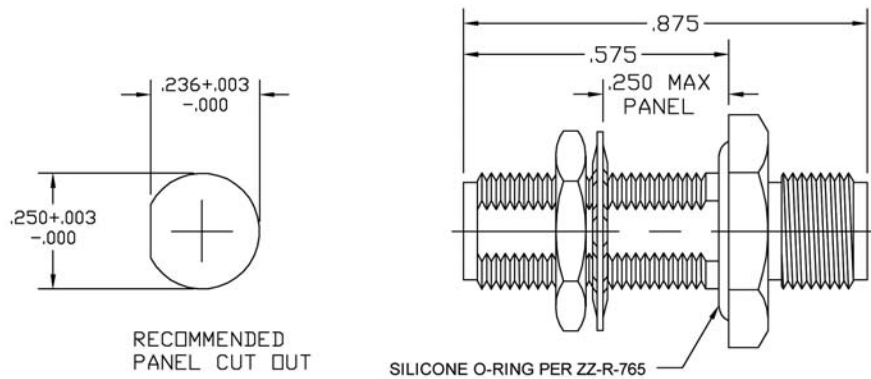
DC-18 GHz



21-921-2000-00

SMA Jack to SMA Jack
Bulkhead Mount

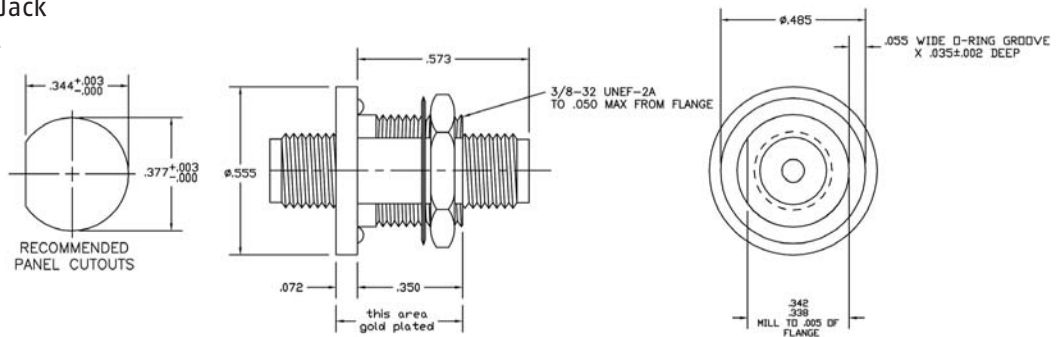
DC-18 GHz



21-921-2040-90

SMA Jack to SMA Jack
Bulkhead Mount
Hermetic

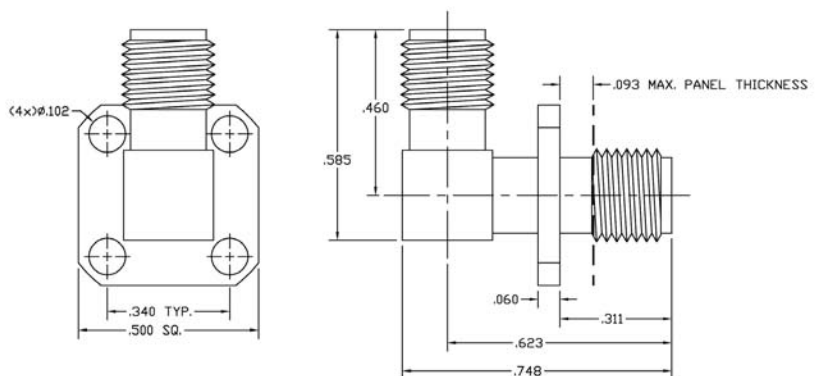
DC-18 GHz



21-921-3500-00

SMA Jack to SMA Jack R/A 4
Hole Flange Mount

DC-18 GHz



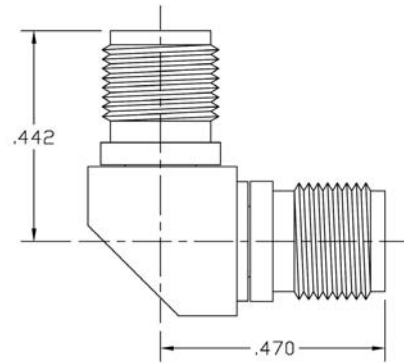
SMA

SMA In-Series Adapters



21-921-4200-00
SMA Jack to SMA Jack R/A

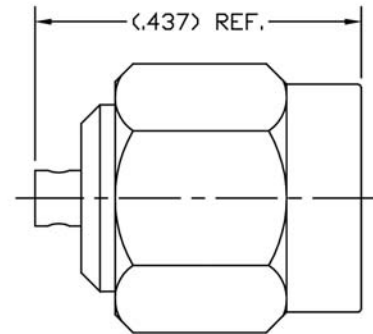
DC-27 GHz



SMA Cable Connectors

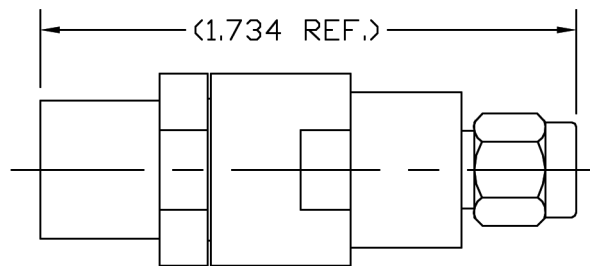
20-000-1047-00
SMA Plug to .047 S/R
Direct Solder

DC-27 GHz



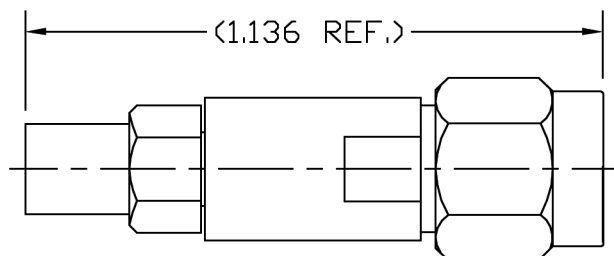
20-000-1535-00
SMA Plug to LL335 Solder
Clamp

DC-18 GHz



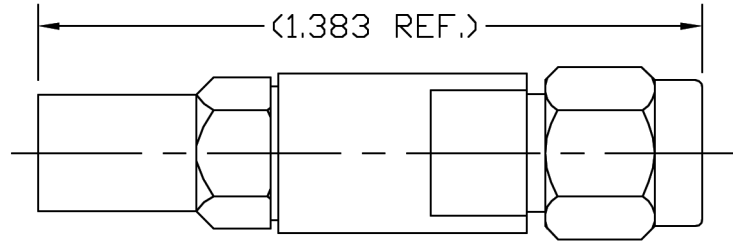
20-000-1539-00
SMA Plug to SF316 Solder
Clamp

DC-18 GHz



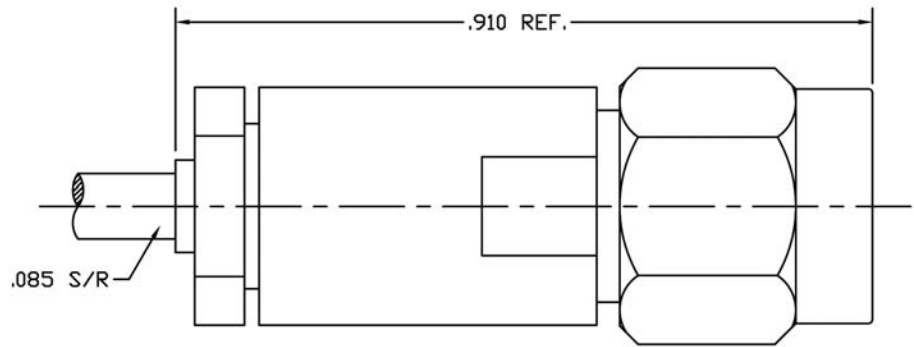
20-000-1559-00
SMA Plug to SF142B Solder
Clamp

DC-18 GHz



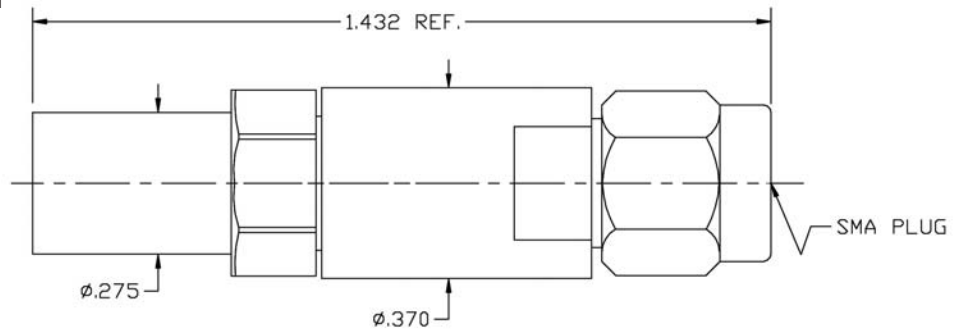
20-000-1585-00
SMA Plug to .085 S/R
Solder Clamp

DC-18 GHz



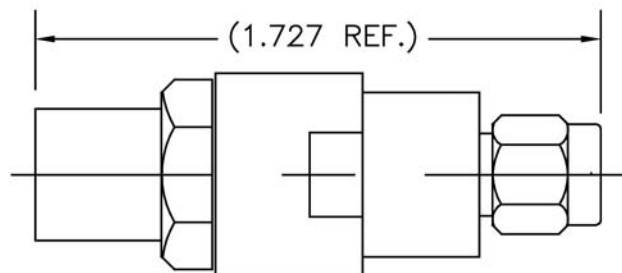
20-000-1590-00
SMA Plug to HP190 Solder
Clamp

DC-18 GHz



20-000-1598-00
SMA Plug to LA290 Solder
Clamp

DC-18 GHz

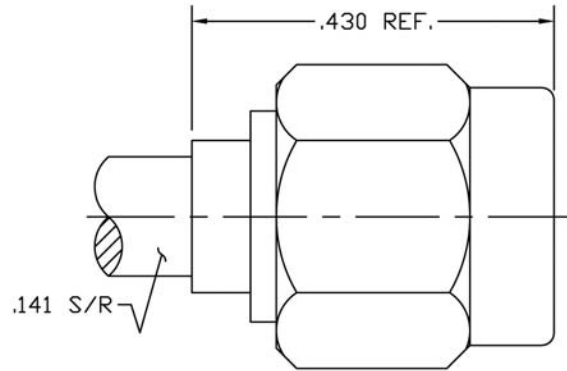


SMA

20-010-1041-00

SMA Plug to .141 S/R
Direct Solder

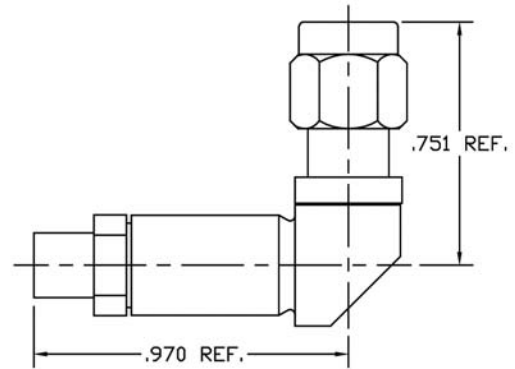
DC-27 GHz



20-041-1523-01

SMA Plug R/A to LL120
Solder Clamp

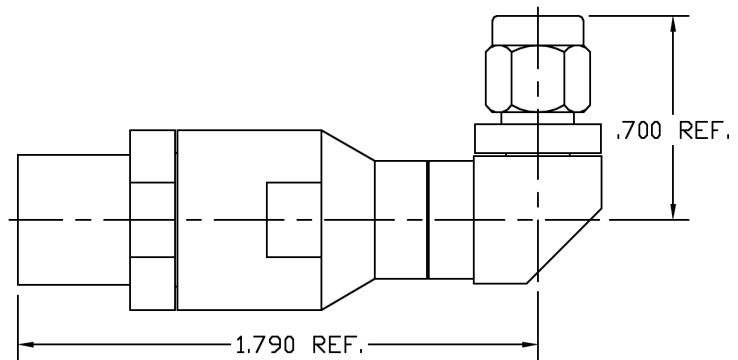
DC-27 GHz



20-041-1531-00

SMA Plug R/A to HF290
Solder Clamp

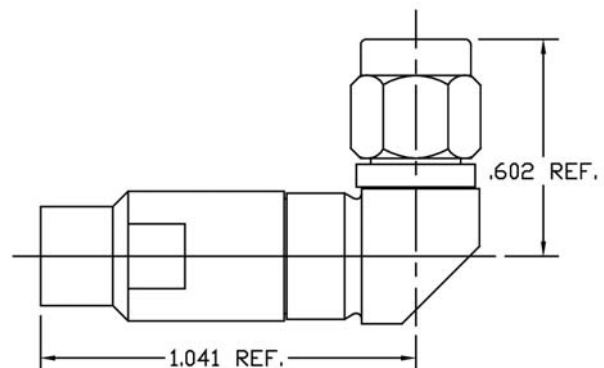
DC-18 GHz



20-041-1590-00

SMA Plug R/A to HP190
Solder Clamp

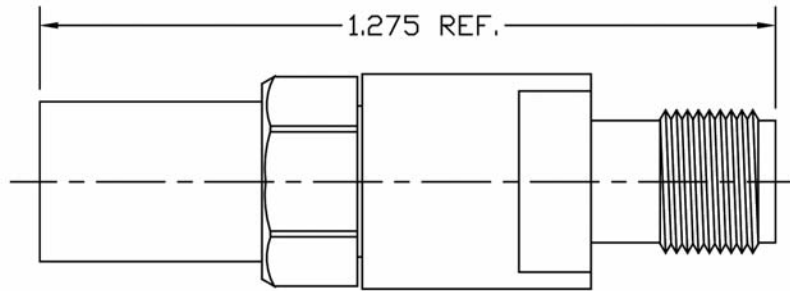
DC-27 GHz



21-000-1597-00

SMA Jack to LL142 Cable
Solder Clamp

DC-18 GHz

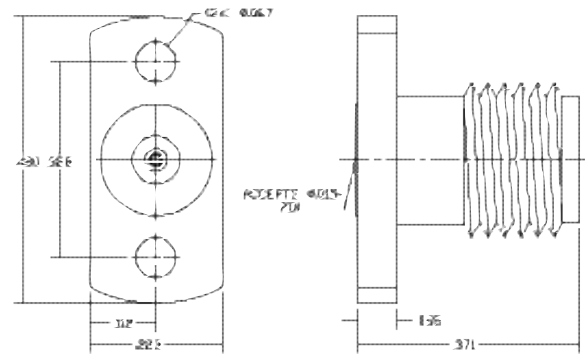


SMA Receptacles / PCB Mount

21-130-1530-00

SMA Jack Receptacle 2
Hole Flange Mount

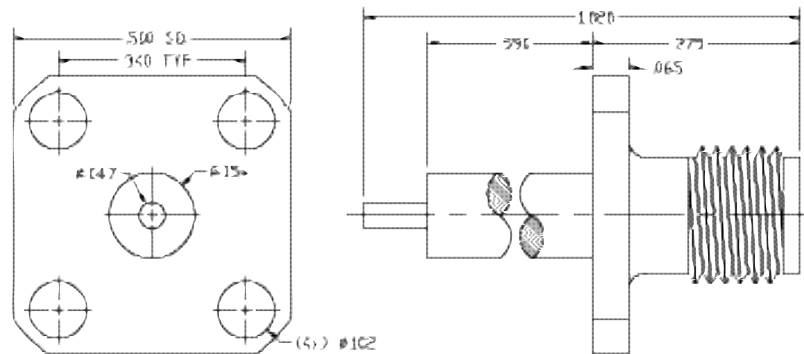
DC-27 GHz



21-131-1000-01

SMA Jack Receptacle 4
Hole Flange Mount

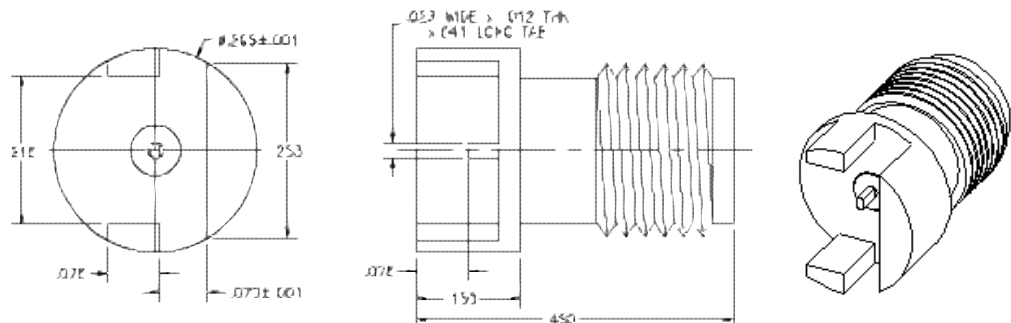
DC-27 GHz



21-146-1000-00

SMA Jack
PCB Mount
for .062" board

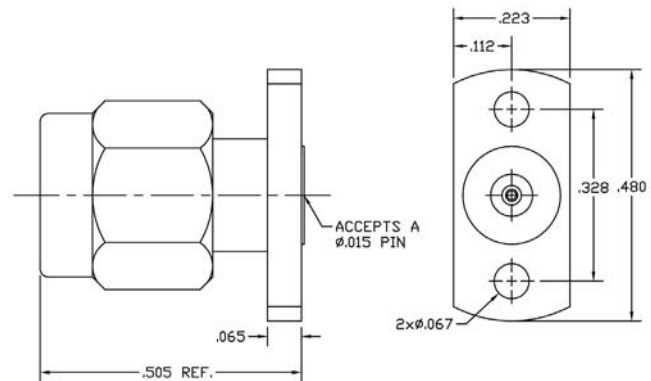
DC-27 GHz



20-130-1530-00

SMA Plug Receptacle 2
Hole Flange Mount

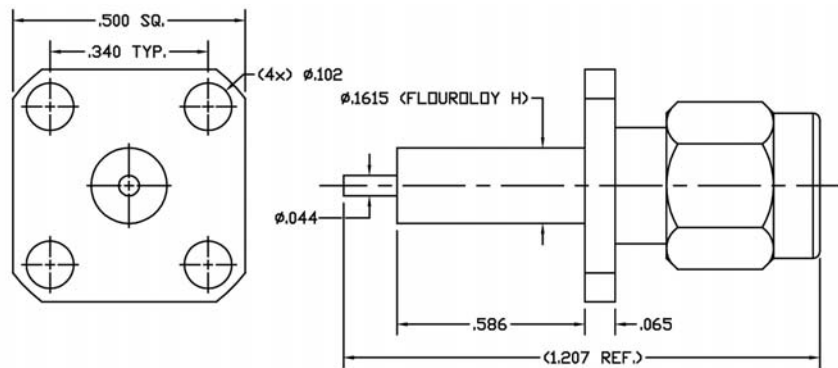
DC-27 GHz



20-131-1000-00

SMA Plug Receptacle 4
Hole Flange Mount

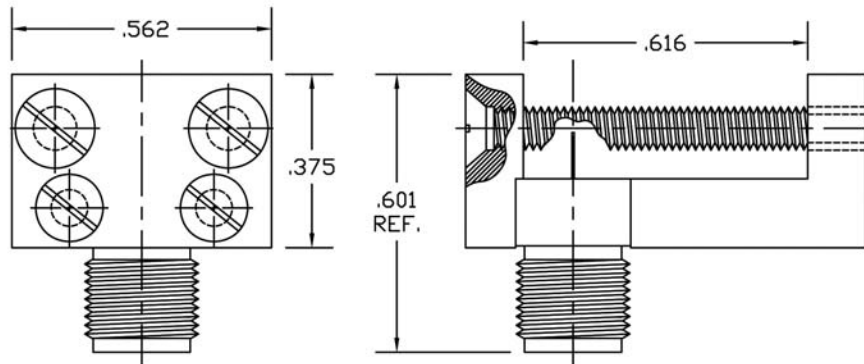
DC-18 GHz



21-116-3005-02

SMA Jack Stripline Launcher

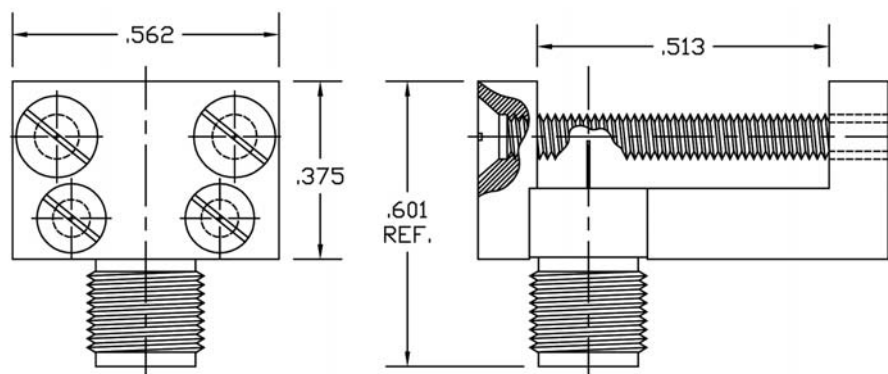
DC-27 GHz



21-116-3005-03

SMA Jack Stripline Launcher

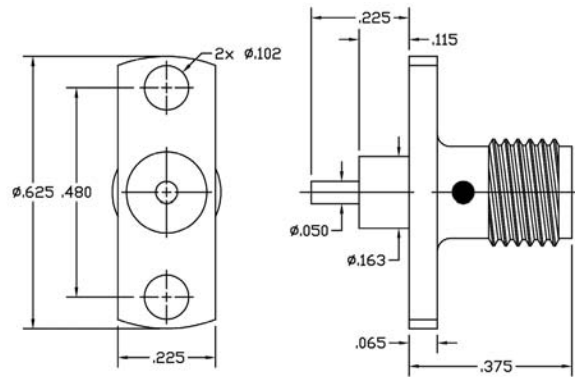
DC-27 GHz



21-130-1000-01

SMA Jack Receptacle 2
Hole Flange Mount

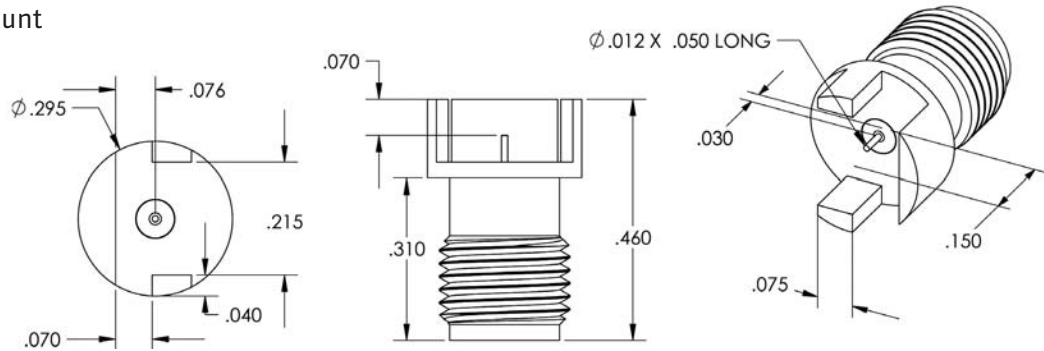
DC-18 GHz



21-146-1000-01

SMA Jack PCB Mount

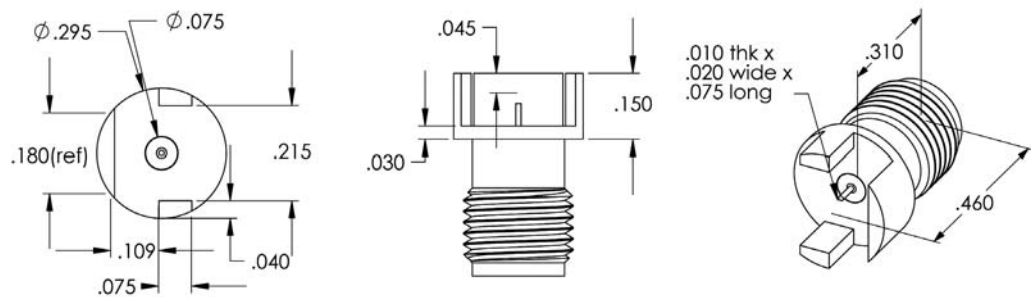
DC-27 GHz



21-146-1000-02

SMA Jack PCB Mount

DC-27 GHz



21-146-1000-04

SMA Jack PCB Mount

DC-27 GHz

