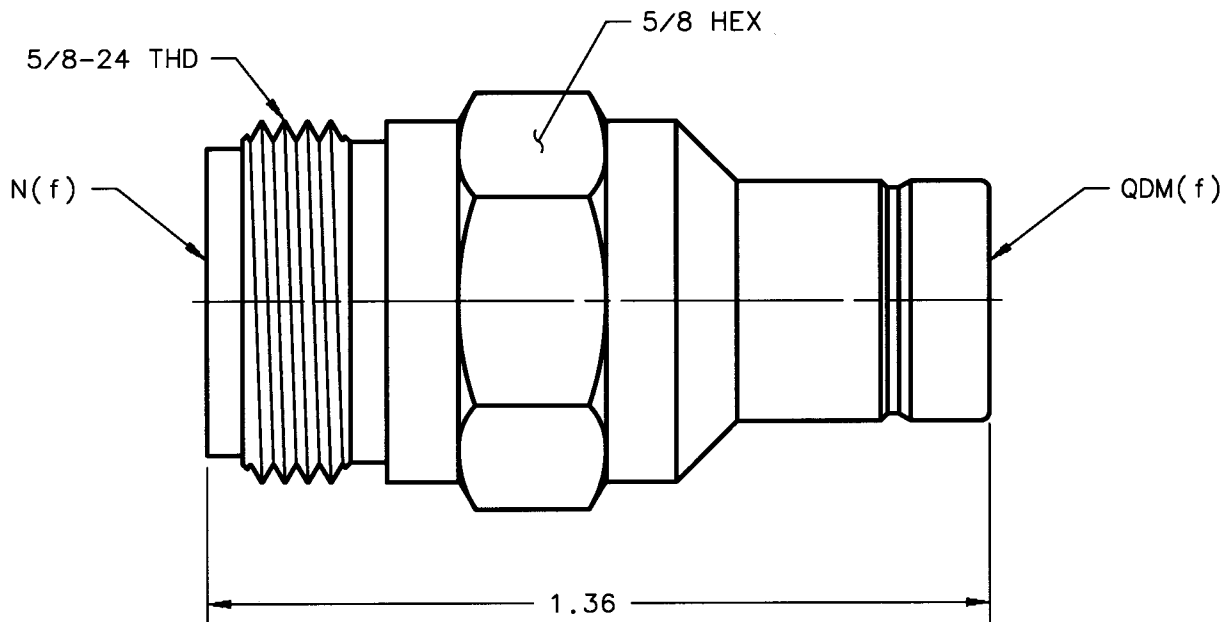


This document, including the design, configuration and mechanical features revealed herein are the sole, confidential and proprietary property of Tru-Connector Corporation. Reproduction or use thereof, in whole or part, is prohibited without the prior written consent of Tru-Connector Corporation.

DWG. NO
TRU-8540-GST



MATERIAL

INSULATOR - TEFLON
CONTACT - BERYLLIUM COPPER
OTHER METAL PARTS - BRASS

FINISH

CONTACT - PLATED 0.0001" MIN GOLD
OVER 0.0001" MIN COPPER
OTHER METAL PARTS - SILVER PLATED



CAGE-92180

TRU-CONNECTOR CORPORATION

245 LYNNFIELD STREET
PEABODY, MASSACHUSETTS 01960
phone: 978-532-0775
fax: 978-531-6993
E-mail: trusales@tru-con.com

DESCRIPTION

CONNECTOR, COAXIAL, RF
SERIES: N(f) TO QDM(f)
ADAPTER, STR

DRAWN BY PJL	DATE 12-16-99	SCALE 3X	CHKD. BY <i>PJL</i>	FILE AS TRU-8540-GST
-----------------	------------------	-------------	------------------------	-------------------------

REFERENCE	THIRD ANGLE PROJECTION	DWG. NO. TRU-8540-GST
-----------	------------------------	--------------------------