

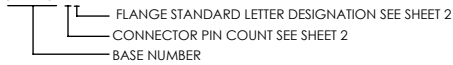
# STAINLESS STEEL VACUUM FLANGE W/LASER WELDED DOUBLE-ENDED MICRO-D FEEDTHROUGH

REVISIONS			
REV	CHANGE NO.	DATE	CFG APPROVAL
-	INIT RLSE	2/25/2010	J. PETRI

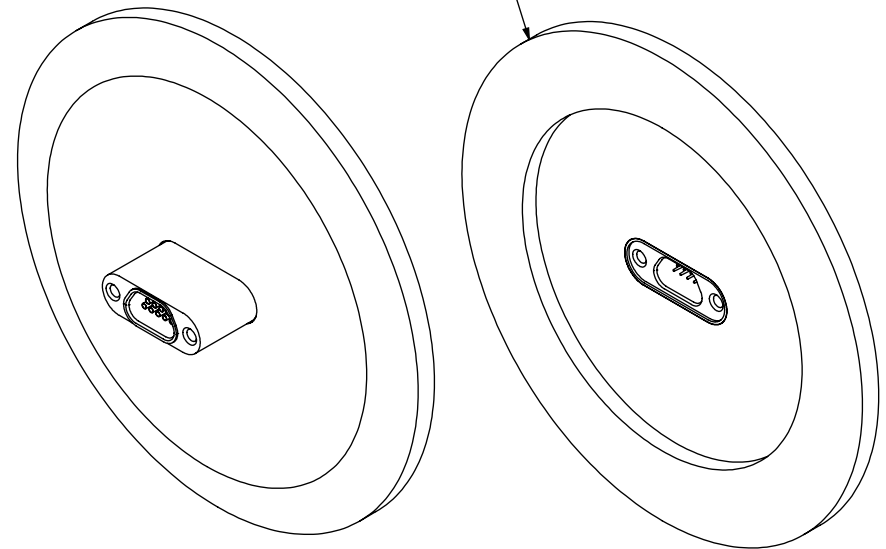
- DOUBLE-ENDED (STANDARD FEMALE RECEPTACLE/CUSTOM RECEPTACLE) CONFIGURATION WITH THE WELD INTERFACE AT THE TOP
- AMBIENT INTERFACE CONFORMS TO MIL-DTL-83513/2 AND IS AVAILABLE IN 9, 15, 21, 25, 31, 37, 51 AND 100 COUNT CONTACT CONFIGURATIONS.
- VACUUM INTERFACE MATES WITH NONHERMETIC CONNECTOR SRIMD204.
- INCORPORATES BERYLLIUM-COPPER CONTACTS INDIVIDUALLY SEALED USING CERAMAX® PROPRIETARY CERAMIC TO ESTABLISH A DURABLE HERMETIC SEAL.


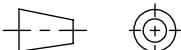
1. LEAK RATE: LESS THAN OR EQUAL TO 2X10E-10 CC/SEC H<sub>2</sub> AT ONE ATMOSPHERE DIFFERENTIAL PRESSURE. TEST TO 1X10E-9 CC/SEC H<sub>2</sub> AT ONE ATMOSPHERE DIFFERENTIAL PRESSURE.
2. MATERIALS:  
 CONTACTS: BERYLLIUM-COPPER ALLOY 172/173 IN ACCORDANCE WITH ASTM B196/197.  
 DIELECTRIC: CERAMAX PROPRIETARY CERAMIC.  
 SHELL: STAINLESS STEEL ALLOY 304L IN ACCORDANCE WITH SAE AMS-QQ-S-743.  
 INTERFACIAL SEAL: FLUOROSILICONE RUBBER, CLASS 1, TYPE 2, GRADE 60 IN ACCORDANCE WITH MIL-R-25988.  
 VACUUM FLANGE: 304L STAINLESS STEEL
3. FINISH:  
 CONTACTS: NICKEL PLATE PER QQ-N-290, .000100/ .000250 THICK.  
 GOLD PLATE PER ASTM B488-01, TYPE II, CODE C, .000050/ .000100 THICK.  
 SHELL: PASSIVATED PER QQ-P-35.
4. ORDERING INSTRUCTIONS:  
 SPECIFY BASE NUMBER FOLLOWED BY DASH NUMBERS INDICATING PIN COUNT AND FLANGE TYPE:

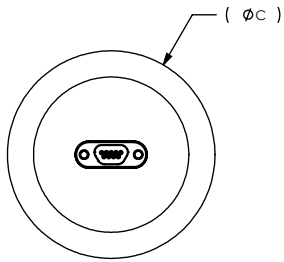
EXAMPLE: SRIVF201-9E



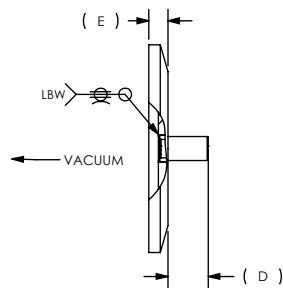
FLANGE SHOWN FOR REFERENCE ONLY  
 SEE SHEET 2 FOR FLANGE/CONNECTOR SIZES



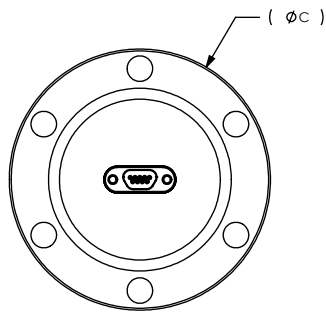
UNLESS OTHERWISE SPECIFIED		 (321) 254-4067 WWW.SRIHERMETICS.COM	
DIMENSIONING IAW ASME Y14.5M-1994 DIMENSIONS APPLY AFTER PROCESSES DIMENSIONS IAW US CUSTOMARY UNITS .X ± .1, .XX ± .01, .XXX ± .005, ∠ ± .5° .010 MAX OUTSIDE R, .005 MAX INSIDE R 125 RMS SURFACE FINISH		TITLE VACUUM FLANGE ASSY, FEEDTHROUGH MICRO-D	
THIRD ANGLE PROJECTION		SIZE A	DOCUMENT SRIVF201
		SCALE 1:2	REV -
		CAGE CODE 3PJY7	SHEET 1 OF 2



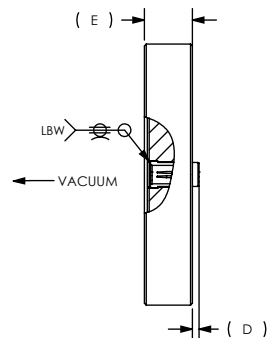
FLANGE TYPE A  
FLANGE TYPE B



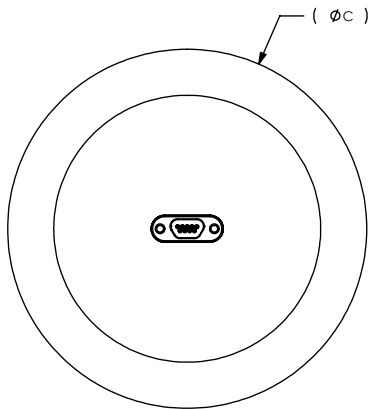
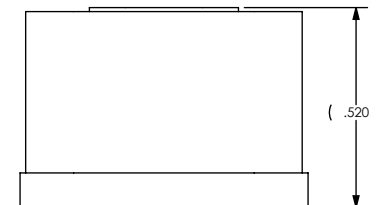
PART NUMBER	FLANGE TYPE	C	D	E	AVAILABLE PIN COUNT
SRIVF201-( )A	QF40 OR EQUIVALENT	2.16	.42	.20	9, 15, 21, 25, 31
SRIVF201-( )B	QF50 OR EQUIVALENT	2.95	.42	.20	9, 15, 21, 25, 31, 37, 51
SRIVF201-( )E	2.75 CONFLAT	2.72	.07	.50	9, 15, 21, 25, 31, 37, 51
SRIVF201-( )F	4.50 CONFLAT	4.47	.04	.68	9, 15, 21, 25, 31, 37, 51, 100
SRIVF201-( )H	ISO63 CLAW CLAMP	3.74	.20	.47	9, 15, 21, 25, 31, 37, 51, 100



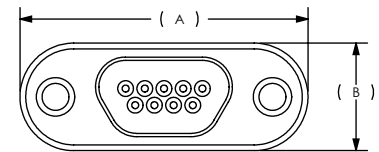
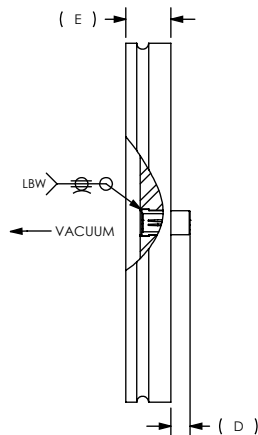
FLANGE TYPE E  
FLANGE TYPE F



PIN QTY	A	B
9	.750	.280
15	.900	.280
21	1.050	.280
25	1.150	.280
31	1.300	.280
37	1.450	.280
51	1.400	.323
100	2.011	.367



FLANGE TYPE H



UNLESS OTHERWISE SPECIFIED  
 DIMENSIONING IAW ASME Y14.5M-1994  
 DIMENSIONS APPLY AFTER PROCESSES  
 DIMENSIONS IAW US CUSTOMARY UNITS  
 .X ± .1, .XX ± .01, .XXX ± .005, ∠ ± .5°  
 .010 MAX OUTSIDE R, .005 MAX INSIDE R  
 125 RMS SURFACE FINISH

**SRI HERMETICS** (321) 254-4067  
 WWW.SRIHERMETICS.COM

TITLE VACUUM FLANGE ASSY, FEEDTHROUGH MICRO-D			
SIZE A	DOCUMENT SRIVF201	REV -	
SCALE 1:2	CAGE CODE 3PJY7	SHEET 2 OF 2	

