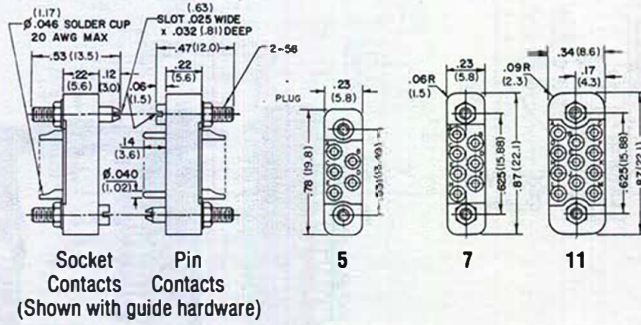


SM-20

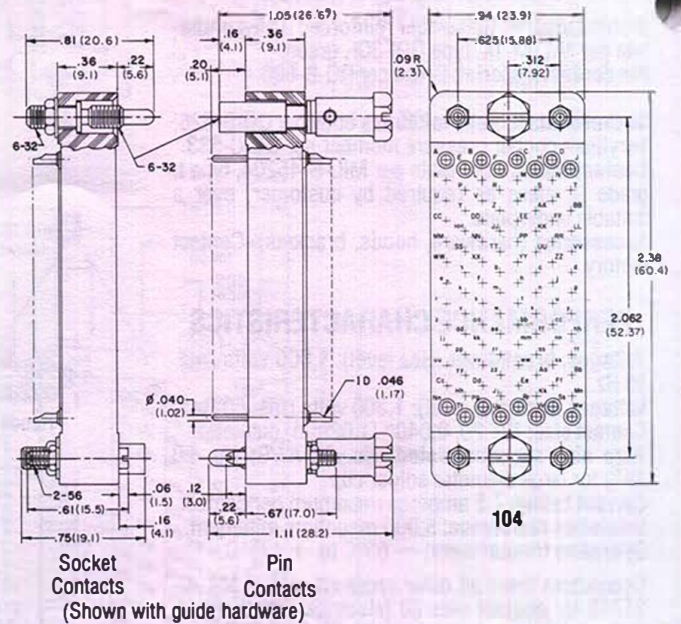
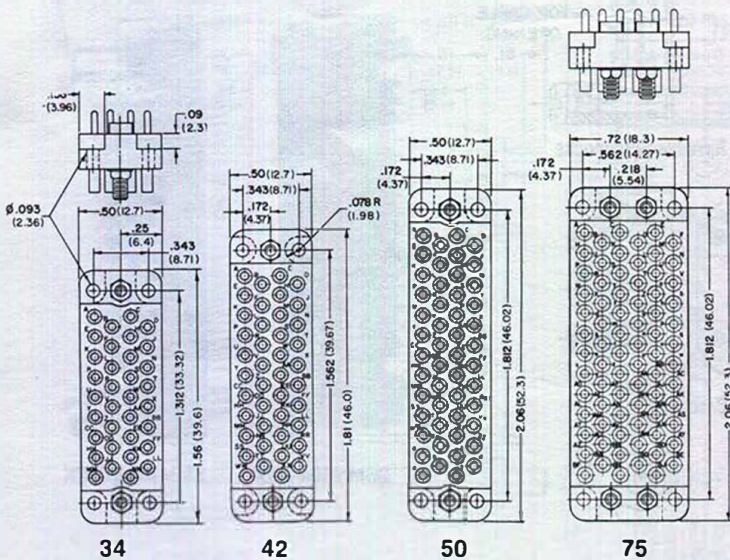
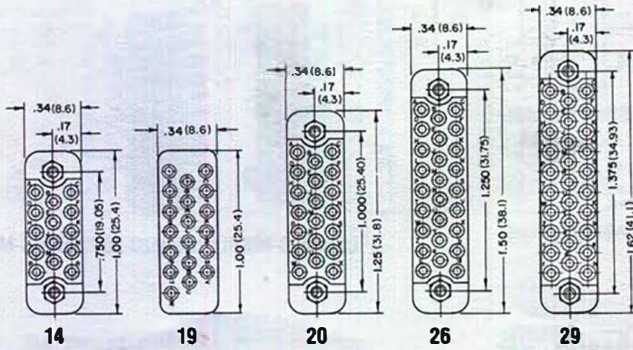
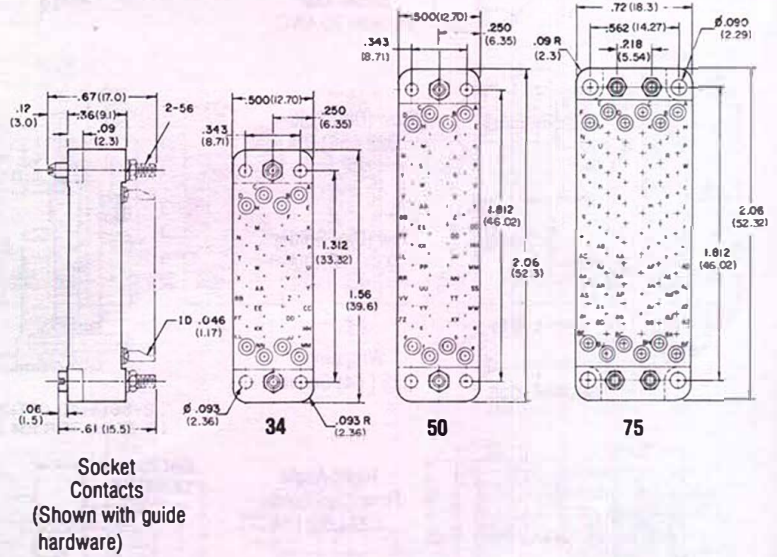
SUB-MINIATURE RECTANGULAR CONNECTORS

SIZE 20 CONTACTS

Views are wiring sides of pin contact connectors

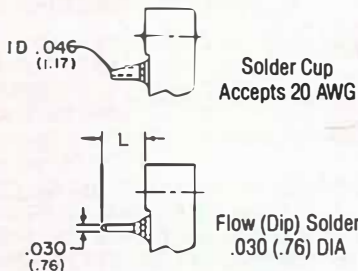


RUGGEDIZED CONSTRUCTION

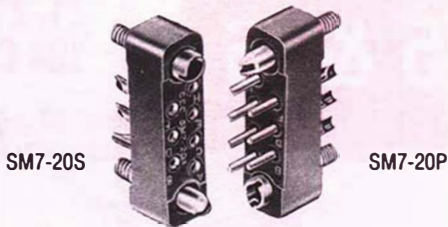


Series SM-20 is described more comprehensively in our "SM-20" brochure.

TERMINALS

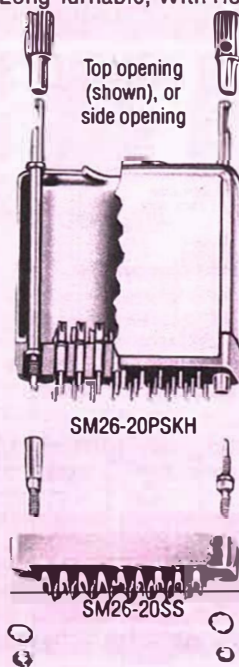


GUIDES



SCREWLOCKS

Long Turnable, With Hood



MATERIALS & FINISHES

Molded inserts: Glass fiber reinforced diallyl phthalate per MIL-M-14, type GDI-30F, green.

Pin contact material: Brass per QQ-B-626.

Socket contact material:

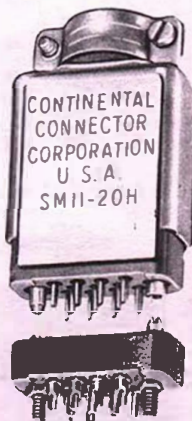
Standard socket (open entry construction): Phosphor bronze per QQ-B-750.

Closed entry socket: Brass body per QQ-B-626; beryllium copper pressure member per QQ-C-533.

Contact finish: Gold plate per MIL-G-45204, type I, grade C, class as required by customer, over a suitable underplate.

Accessories (hardware, hoods, etc.): Contact factory.

Hoods With Guides

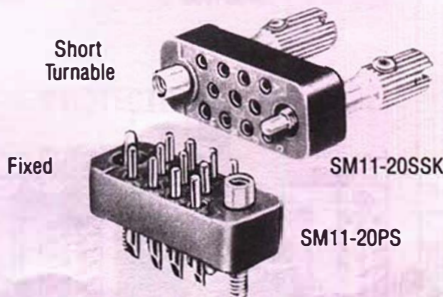


SM7-20PH

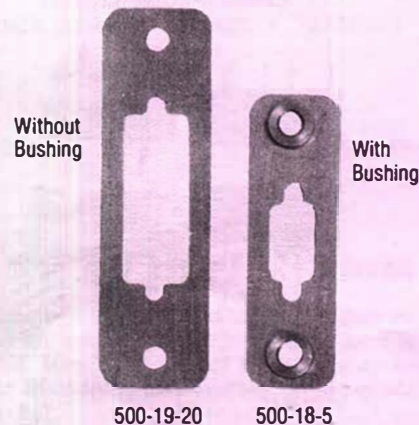
SM7-20S

SCREWLOCKS

Fixed & Short Turnable



MOUNTING PLATES



PERFORMANCE CHARACTERISTICS

Voltages, breakdown (Sea level): 1,300 volts rms, 60 Hz.

Voltages, test (Sea level): 875 volts rms, 60 Hz.

Contact size: No. 20, 0.040" (1.02mm) diameter.

Wire size accommodated: No. 20 AWG.

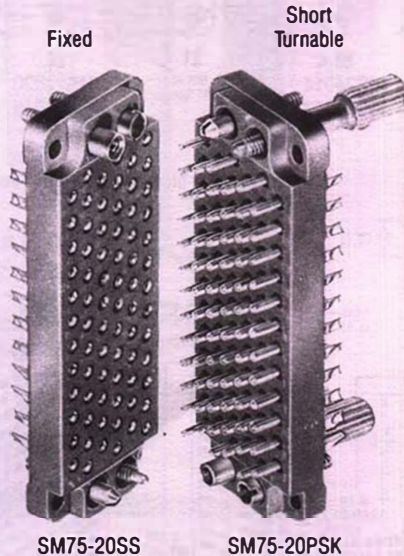
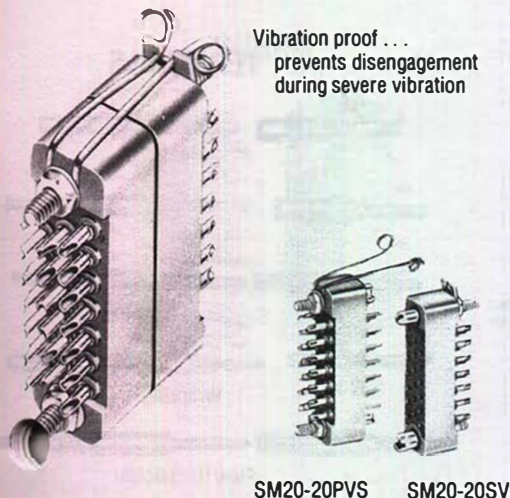
Current rating: 7.5 amperes maximum per contact.

Insulation resistance: 5,000 megohms minimum.

Operating temperature: -65°C to +125°C.

Connectors meet all other requirements of MIL-C-28748 for contact size 20 (electrical, mechanical, environmental) when supplied with MIL-SPEC approved materials and finishes.

SPRING LOCKS



PROTECTIVE SHELLS

