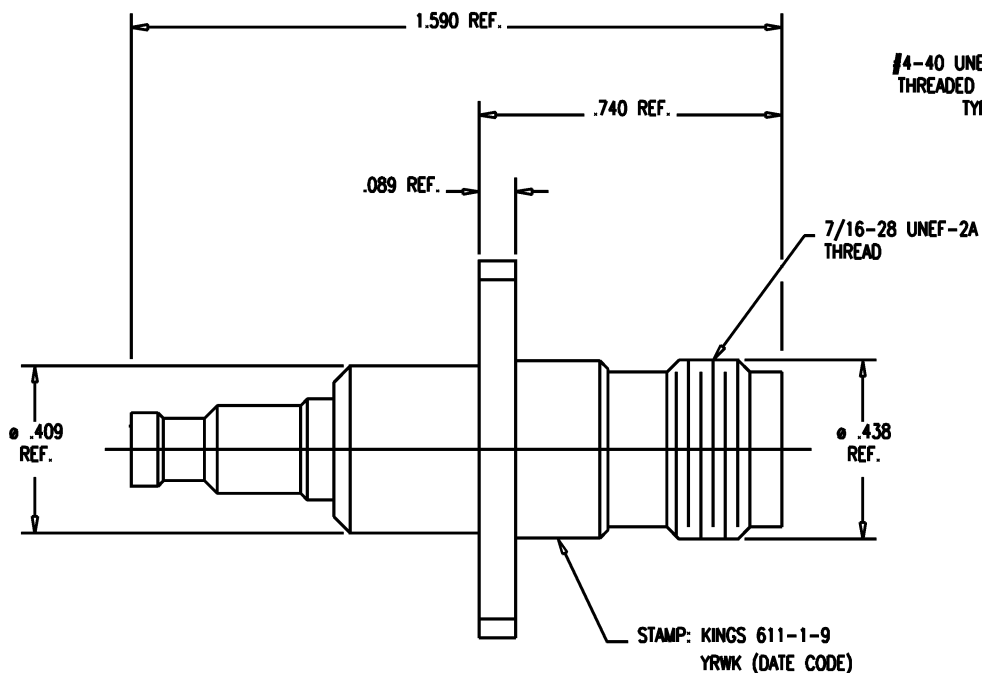


SD

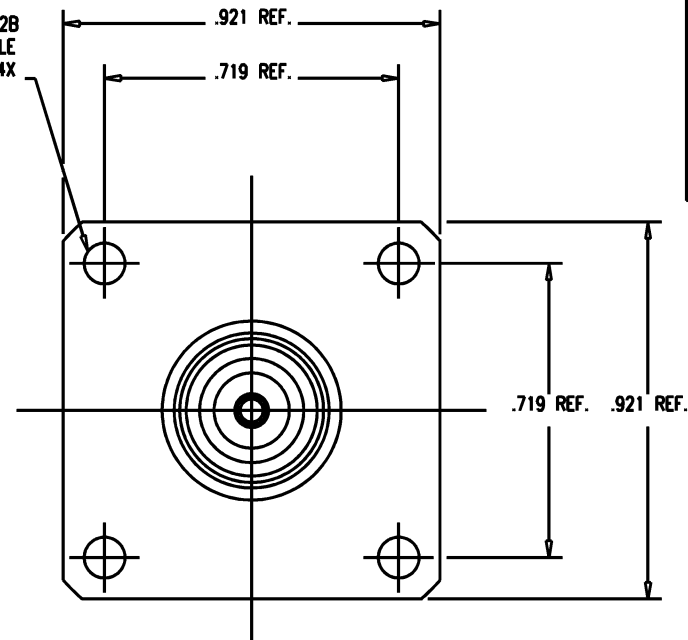
REVISIONS

ISSUE	CHANGES
0	ER 38960 JPK 10/22/03

611-1-9

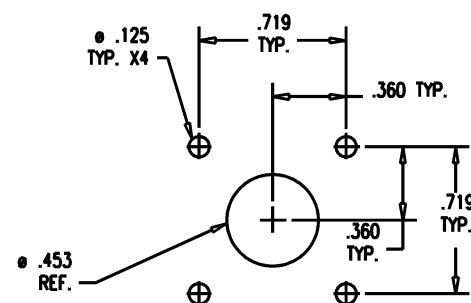


#4-40 UNEF-2B
THREADED HOLE
TYP. 4X



NOTES:

- FOR USE WITH RG-179 & 187/U & BELDEN 9221 CABLE.
- FOR CABLING INSTRUCTIONS SEE 3-661-4.
- FOR CRIMPING USE DIE KTH-2277.
- INTERFACE PER MIL-STD-348, FIG. 313-2.
- MARK PACKAGE: KINGS 611-1-9
YRWK (DATE CODE)
- MATERIALS:
INSULATOR: TEFLON PER ASTM-D-4894
K-GRIP SLEEVE: COM. BRONZE PER ASTM-B-140
CENTER CONTACT: BERYLLIUM COPPER PER ASTM-B-196
ALL OTHER METAL PARTS: BRASS PER ASTM-B-16
- FINISHES:
CENTER CONTACT: GOLD PLATED PER MIL-G-45204
ALL OTHER METAL PARTS: NICKEL PLATE PER QQ-N-290
- ELECTRICAL CHARACTERISTICS:
NOMINAL IMPEDANCE: 75 OHMS
WORKING VOLTAGE: 500 VRMS
FREQUENCY RANGE: DC TO 3 GHz



MOUNTING HOLES
(NOT TO SCALE)

611-1-9SD

SCALE 3 : 1

APPROX SURFACE AREA

USED ON

REF: EOR 704 & E-20217

TNC, 75 OHM JACK
PANEL MOUNT

DRAWN J. KENNEDY DATE 09/09/03

DESIGN J. KENNEDY DATE 09/09/03

APPR. DATE

KINGS
ELECTRONICS CO., INC.
ROCK HILL, SOUTH CAROLINA 29730

SD

611-1-9