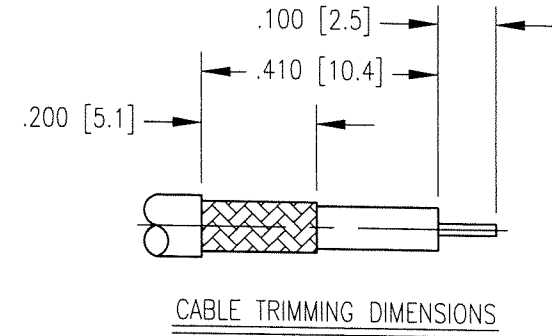
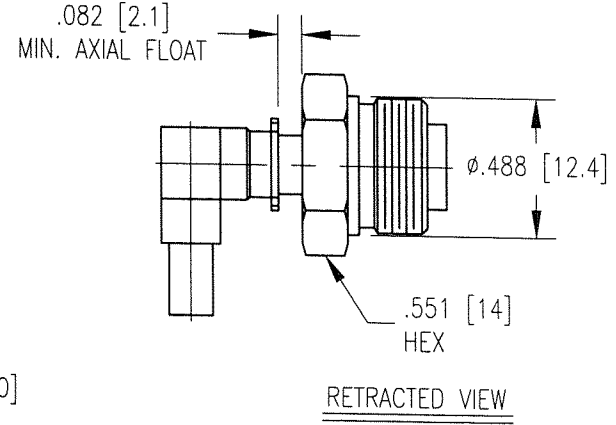
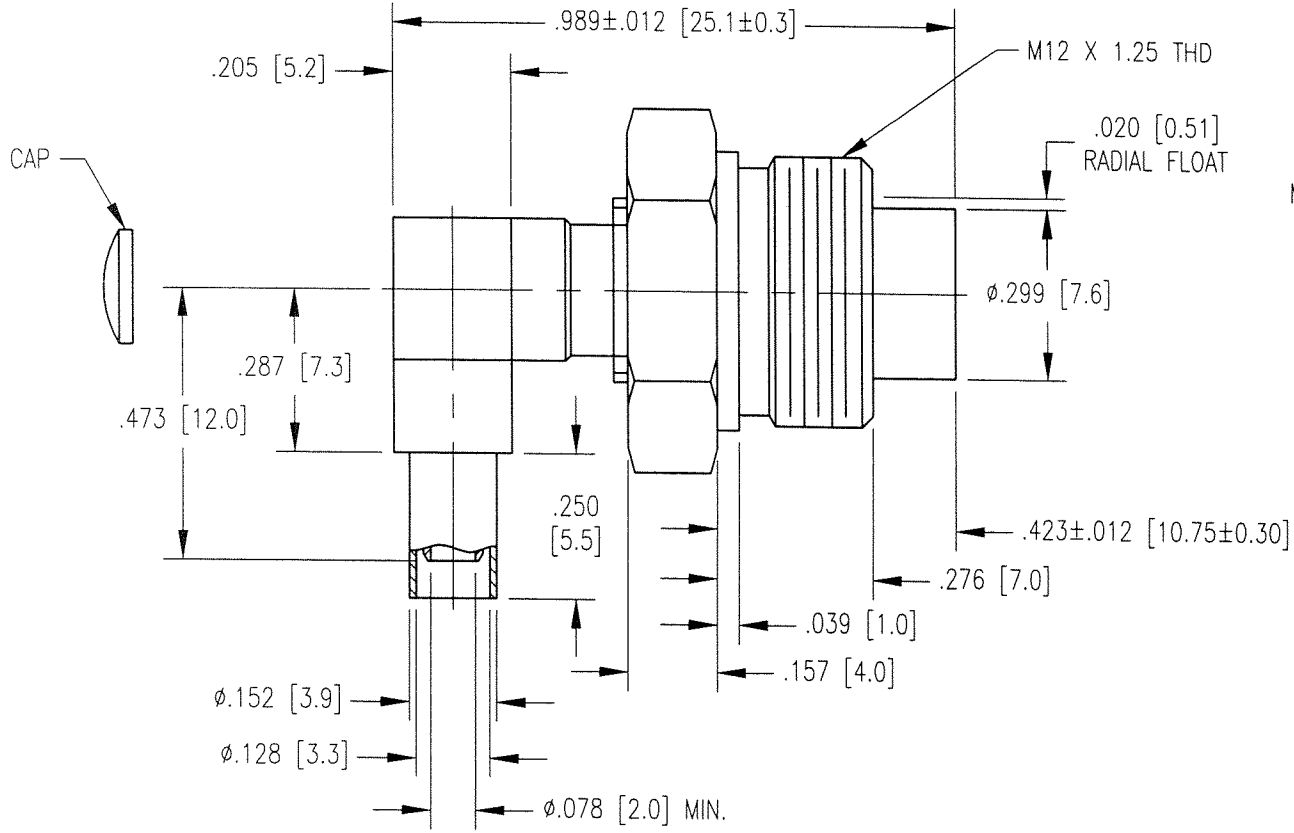


DWG. NO. 363-900-0752R			
REV	DESCRIPTION	BY DATE	APPRO
E	ECR 6621	JED 1/22/01	JED



- NOTES:
- MATERIALS:
 CENTER CONTACT: COPPER ALLOY
 OUTER CONTACT: BERYLLIUM COPPER PER ASTM B194
 SPRING: MUSIC WIRE PER ASTM A228
 INSULATOR: TEFLON PER ASTM D1710
 ALL OTHER METAL PARTS: BRASS PER ASTM B16
 - FINISH:
 CENTER AND OUTER CONTACTS: .000030 MIN. GOLD PER MIL-G-45204 OVER
 .000050 MIN. NICKEL PER QQ-N-290

 SPRING: UNPLATED
 ALL OTHER METAL PARTS: TRI-METAL PLATE
 - DESIGNED FOR USE WITH HARTING 8-WAY MINI COAX CABLE 73550510124.
 - MOTOROLA PART NUMBER: 2886494V02

PER ASME Y14.5M-1994 UNLESS OTHERWISE SPECIFIED: DIMENSIONS ARE IN INCHES [MM]		Litton	
TOLERANCES: DECIMALS .xx ± .01/0.254 .xxx ± .005/0.127		Winchester/Retconn 400 Park Road Watertown, Connecticut 06795	
ANGLES ± 2° SCALE: 3:1		TITLE	
CUSTOMER DRAWING		BMA RIGHT ANGLE RECEPTACLE WITH HEX HOUSING	
DRAWN JED	DATE 10/10/00	CHECKED JH	DATE 10/13/00
APPROVED KJT	DATE 10/13/00	APPROVED JMC	DATE 10/13/00
A		363-900-0752R	SMT. OF REV. 1 1 E