

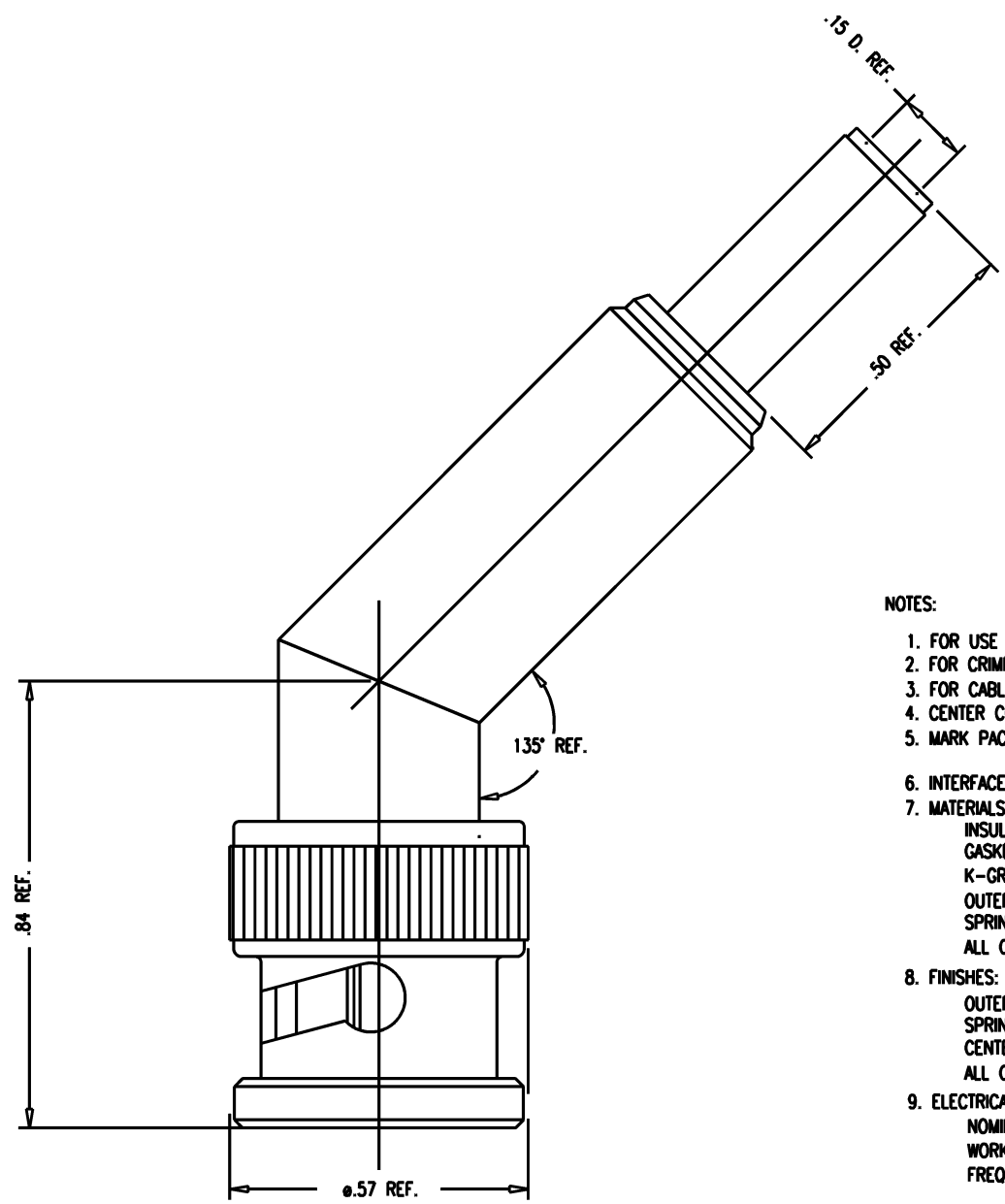
SD

2026-36-9

REVISIONS

ISSUE	CHANGES
0	ER 38058 HVN 08/02/00

2026-36-9S



NOTES:

1. FOR USE WITH TYPE 735 CABLE.
2. FOR CRIMPING USE DIE KTH-2185.
3. FOR CABLING INSTRUCTIONS SEE 3-682 (BULK PACKAGING) OR 3-680 (BAG PACKAGING).
4. CENTER CONTACT AND K-GRIP SLEEVE TO BE SUPPLIED UNASSEMBLED.
5. MARK PACKAGE: KINGS 2026-36-9
YRWK (DATE CODE)
6. INTERFACE PER MIL-STD-348, FIG. 301-1 (AS APPLICABLE).
7. MATERIALS:
 INSULATORS: TEFLON.
 GASKET: SIL. RUB.
 K-GRIP SLEEVE: BRASS OR COMMERCIAL BRONZE.
 OUTER & ANGLE CONTACTS } BER. COP.
 SPRING WASHER }
 ALL OTHER PARTS: BRASS.
8. FINISHES:
 OUTER CONTACT } SILVER PLATE.
 SPRING WASHER }
 CENTER CONTACTS: GOLD PLATE.
 ALL OTHER METAL PARTS: NICKEL PLATE.
9. ELECTRICAL CHARACTERISTICS:
 NOMINAL IMPEDANCE: 75 OHMS
 WORKING VOLTAGE: 500 VRMS
 FREQUENCY RANGE: DC TO 2 GHz

SCALE	4:1	
APPROX SURFACE AREA		
USED ON		
REF:	2026-30-7	
PL, 45 DEG. ANG 75 OHM BNC, M		
DRAWN	HVN	DATE 08/02/00
DESIGN	MLT	DATE 05/28/98
APPR.	DATE	

KINGS
ELECTRONICS CO., INC.
ROCK HILL, SOUTH CAROLINA 29730

2026-36-9

SD