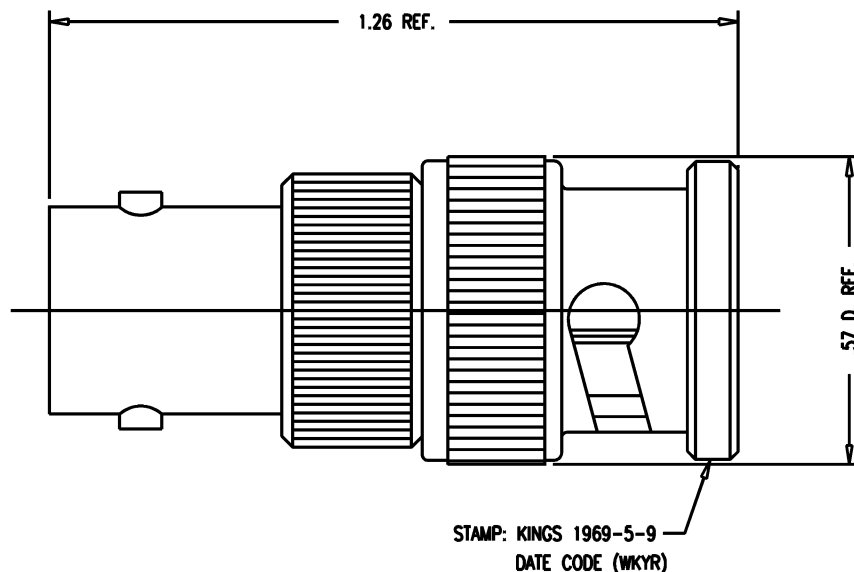


DASH NO.	M CODE	MADE FROM
----------	--------	-----------

GSD

1969-5-9

REVISIONS	
ISSUE	CHANGES
0	ER 32394 KH 08/02/90
1	CN 39516 A DCT 7/7/6



NOTES:

- INTERFACES PER MIL-STD-348, FIG. 301-2 AND 201-1 (EXCEPT 2 SLOT BAYONET)
- MATERIALS:
 - INSULATORS-TEFLON, ASTM-D-1457
 - GASKET-SILICONE RUBBER, ZZ-R-765
 - INTERMEDIATE CONTACT
 - SPRING WASHER
 - CENTER CONTACT F
 - OUTER CONTACT
 } BER. COP., ASTM-B-196
- ALL OTHER METAL PARTS-BRASS, ASTM-B16
- FINISHES:
 - SPRING WASHER-0.0002 MIN. BRIGHT SILVER PLATE PER QQ-S-365, TYPE III
 - CENTER CONTACTS
 - INTERMEDIATE CONTACT
 - ALL OTHER METAL PARTS-KINGS TARNISH RESISTANT FINISH (TR-5)
 } 0.00005 MIN. HARD GOLD PLATE PER MIL-G-45204 CLASS 1, TYPE III, GRADE C.
- ELECTRIAL CHARACTERISTICS:
 - FREQUENCY RANGE-DC TO 500 MHZ
 - WORKING VOLTAGE-400 VRMS

SCALE 4:1	
APPROX SURFACE AREA	
USED ON	
REF:	
ADAPTER, TRB-BNC, M-F	
DRAWN KH	DATE 08/02/90
DESIGN CT	DATE 08/09/90
APPR. JT	DATE 08/14/90

GSD

KINGS ELECTRONICS CO., INC. ROCK HILL, SOUTH CAROLINA 29730
1969-5-9