

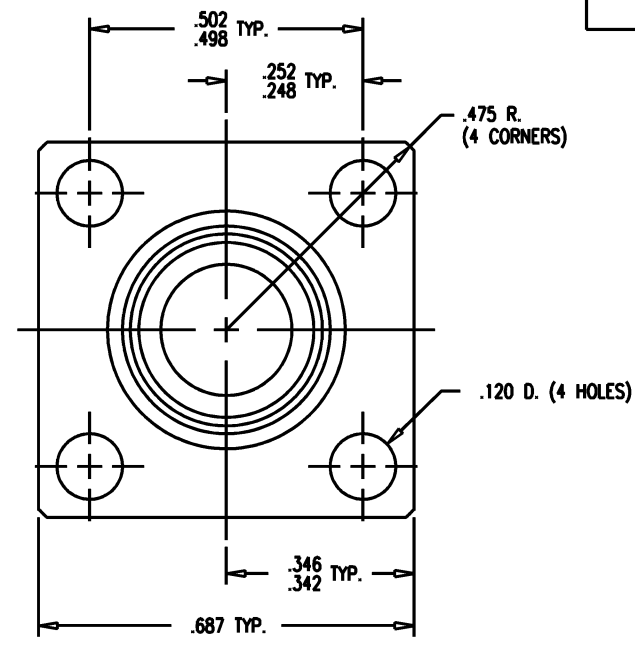
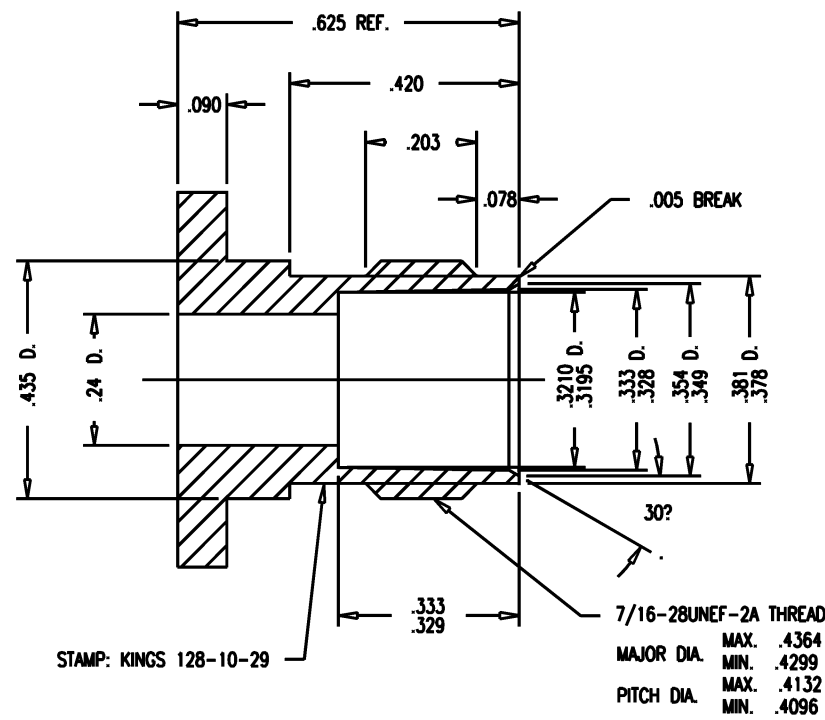
DASH NO.	M CODE	MADE FROM
----------	--------	-----------

GSD

128-10-29

REVISIONS

ISSUE	CHANGES	
0	ER JCA	31049 08/04/89
1	CN REDRAWN JCA	33191 A 06/25/91
2	CN TML	38987 E 12/22/03



- NOTES:
1. ALL BAGS AND BOXES MUST BE MARKED: DOUGLAS AIRCRAFT 500104-1 KINGS 128-10-29
 2. MATERIAL: BRASS, ASTM-B16-H02
 3. FINISH: NICKEL PLATE PER QQ-N-290

JCA1784

SCALE 4:1

APPROX SURFACE AREA

WAS: E-15330

USED ON

REF: DOUGLAS AIRCRAFT 500104-1 REV. A

BODY, TNC, PNL

DRAWN JCA DATE 06/25/91

DESIGN GA DATE 06/25/91

APPR. DATE

KINGS
 ELECTRONICS CO., INC.
 ROCK HILL, SOUTH CAROLINA 29730

128-10-29

GSD