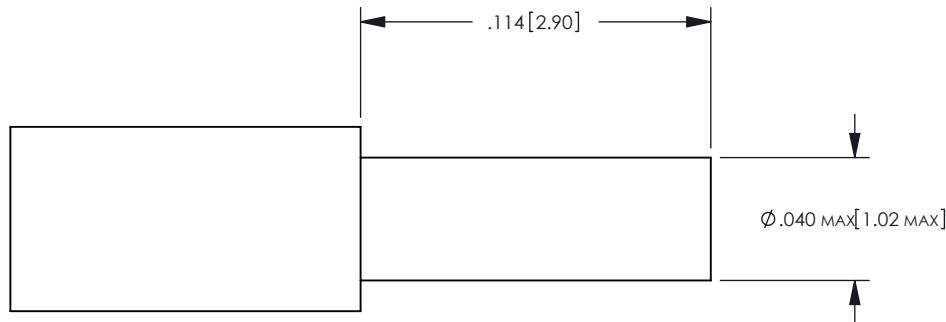
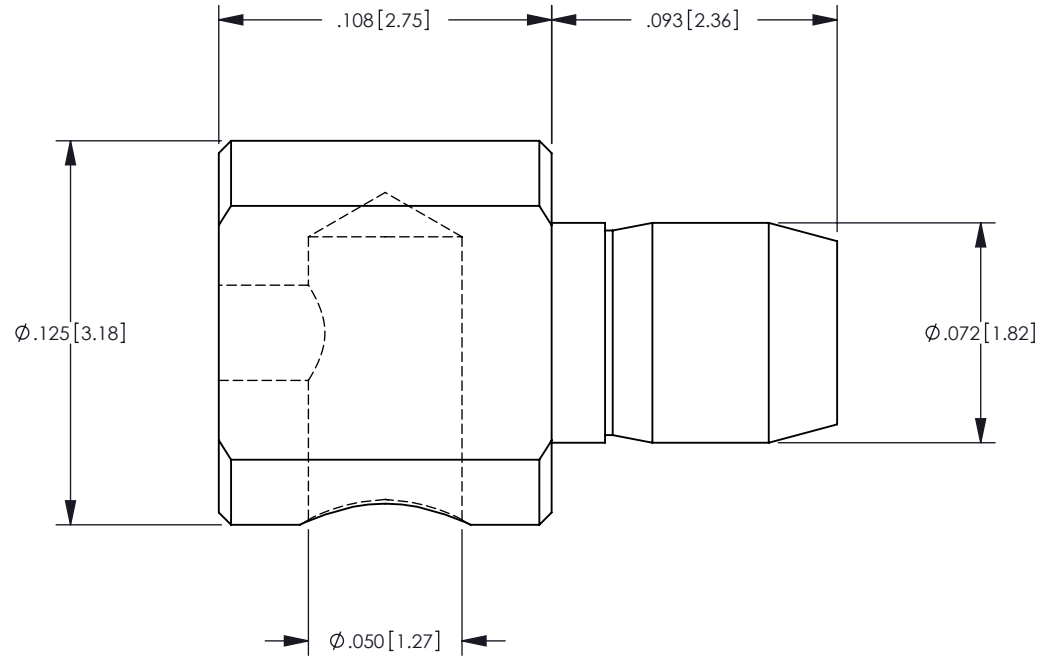
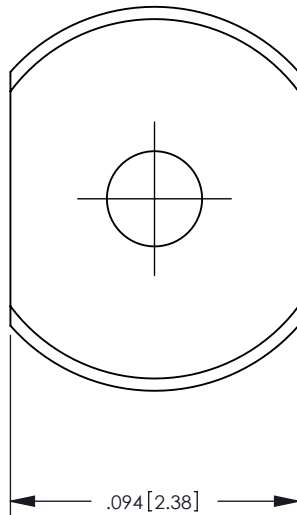


NOTES: UNLESS OTHERWISE SPECIFIED

1. FOR GENERAL SERIES SPECIFICATIONS, SEE SD74-000X.
2. MATERIAL SPECIFICATIONS: BRASS PER ASTM B16.
3. FINISH SPECIFICATIONS:
.000030/.000040 GOLD PER ASTM B488, TYPE II, GRADE C OVER .000100/.000150 COPPER PER ASTM B734 (RoHS), PLATE IN NON-MAGNETIC BATHS.
4. ELECTRICAL SPECIFICATIONS:
CURRENT RATING: TBD.
CONTACT RESISTANCE: (1.0 MILLIOHM) TBD.
5. SUGGESTED FOR USE WITH 20 AWG WIRE.

REV	DESCRIPTION	BY DATE	APPD
03	PRELIMINARY DRAWING PER ER15350	60/6/19/01 DVI	XXX



RECOMMENDED WIRE TRIM DIMENSIONS

CATALOG P/N: 01469

PER ASME Y14.5M-1994 UNLESS OTHERWISE SPECIFIED: DIMENSIONS ARE IN INCHES [MM] TOLERANCES: DECIMAL: .XX [X.X] ± .01 [0.3] .XXX [X.XX] ± .005 [0.13] .XXXX [X.XXX] ± .XXXX ANGLES: ± 2° SCALE: 16:1				 WINCHESTER ELECTRONICS Winchester Electronics Corporation 62 Barnes Industrial Road North Wallingford, Connecticut 06492	
CUSTOMER SALES DRAWING			THIRD ANGLE 	POWERSNAP MINI, RIGHT ANGLE, 20 AWG (RoHS & Non_Magnetic)	
DRAWN DAO	DATE 12/08/08	APPROVED XXX	DATE XX/XX/XX	A	SHT OF REV 1 1 03
APPROVED XXX	DATE XX/XX/XX	APPROVED XXX	DATE XX/XX/XX		