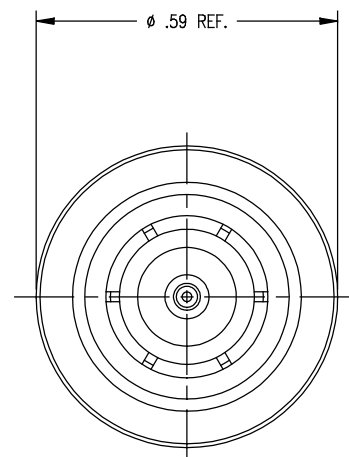
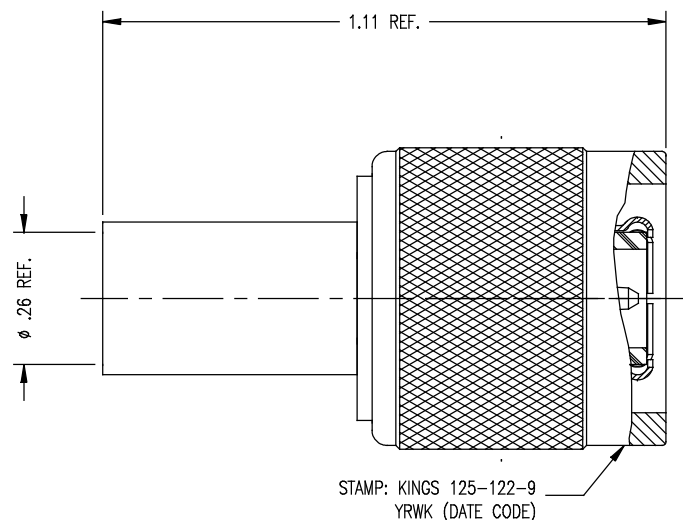


GSD

125-122-9

REVISIONS

ISSUE	CHANGES
0	ER 39606 DRK 09/05/06



NOTES:

- FOR USE WITH BELDEN RF 240 CABLE.
- FOR CABLING INSTRUCTIONS SEE 3-782.
- FOR CRIMPING USE DIE KTH-2002.
- INTERFACE PER MIL-STD-348, FIG. 313-1.
- CRIMP SLEEVE (S-89-06-2 M06) AND CENTER CONTACT (1-569-38 MC9) SUPPLIED UNASSEMBLED.
- MARK PACKAGE: KINGS 125-122-9 XX XX (DATE CODE)
- MATERIALS:
 - INSULATOR: TEFLON, ASTM-D4894
 - K-GRIP SLEEVE: COM. BRONZE, ASTM-B140
 - OUTER CONTACT: BER. COPPER, ASTM-B196
 - GASKET: SILICONE RUBBER, A-A-59588.
 - C-RING: PHOSPHOR BRONZE, ASTM-B103
 - ALL OTHER METAL PARTS: BRASS, ASTM-B16
- FINISHES:
 - CENTER CONTACT: GOLD PLATE, ASTM-B488.
 - ALL OTHER METAL PARTS: KINGS TARNISH RESISTANT NICKEL (TR-5).
- ELECTRICAL CHARACTERISTICS:
 - NOMINAL IMPEDANCE: 50 OHMS
 - WORKING VOLTAGE: 500 VRMS
 - FREQUENCY RANGE: DC TO 11 GHZ.

SCALE 4:1

APPROX SURFACE AREA

USED ON

REF: EQR 933

PLUG, TNC

DRAWN DRK	DATE 04/03/06
-----------	---------------

DESIGN DRK	DATE 04/03/06
------------	---------------

APPR.	DATE
-------	------

KINGS
ELECTRONICS CO., INC.
ROCK HILL, SOUTH CAROLINA 29730

GSD

125-122-9